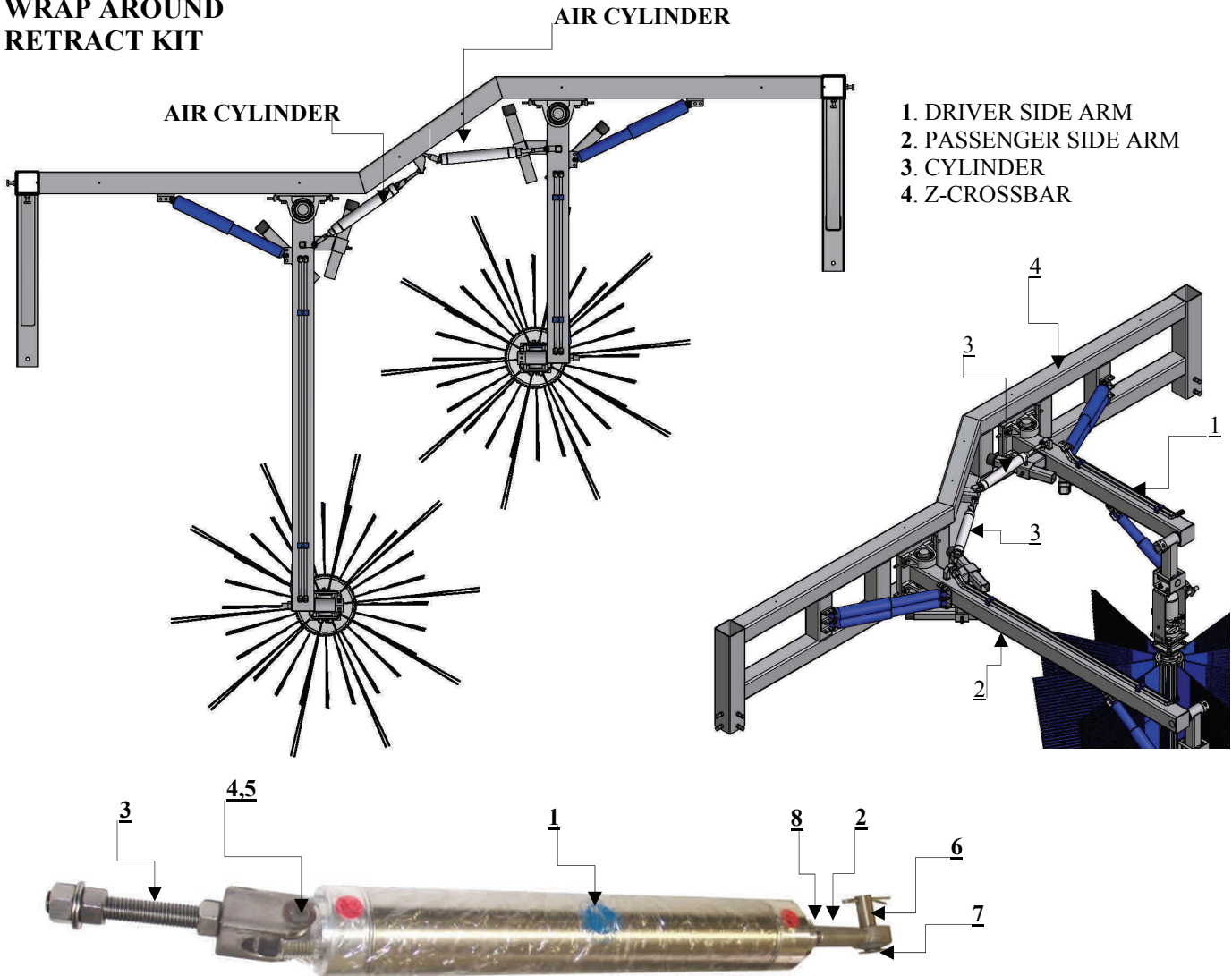


WRAP RETRACT KIT, Model WA1G

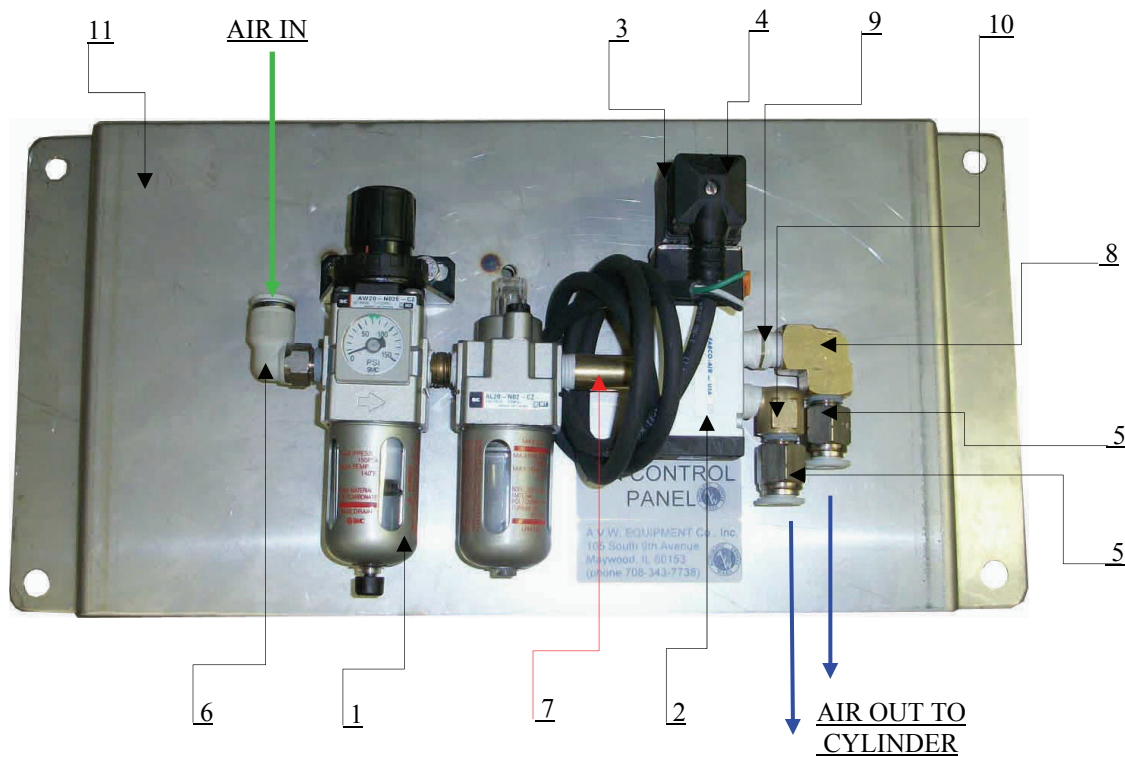
WRAP AROUND RETRACT KIT



ITEM	Description	PART NUMBER	QTY.
1	CYLINDER (2" BORE, 10" STROKE)	AC2X10	2
2	BALL JOINT ROD AND 1/2"-20	BJ1/2-20	2
3	REAR MOUNT: - CLAVIS - THREADED ROD 1/2"-13 x 5" lg - HEX NUT 1/2" - 13	WA2GA WA2GA1 WA2GA2 HN1213	2 2 2 6
4	REAR PIN 3/8" x 1-1/2" lg	WA1GB	2
5	COTTER PIN	CP3/8	2
6	FRONT PIN 1/2" x 2" lg	WA1GC	2
7	COLLAR 1/2"	WA1GD	2
8	JAM NUT 1/2"	JN1220	2



AIR CONTROL PANEL , Model WA1P



AIR CONTROL PANEL "WA1P"			
Item	Description	Part No.	Qty.
1	FRL COMBINATION (Filter, Regulator, Lubricator) 1/4"	FRL1-4-SMC	1
2	4-WAY DIRECTIONAL VALVE 1/4"	4WDV1-4VLF	1
3	COIL	-	1
4	CANFIELD CONNECTOR	4WDV1-4DIN-F	1
5	AIR PUSH FITTING 3/8"x1/4"NPT	APF3814	2
6	90° AIR PUSH FITTING 3/8"x1/4"NPT	APF3814-EL90	1
7	BRASS 1/4" NIPPLE 1/4"x2"LG	NPLBR025200	1
8	1/4" BRASS ELBOW Female x Female	-	1
9	BRASS PIPE HEX NIPPLE	NPLBR025HEX	1
10	90° STREET ELBOW 1/4"	EL90S-BR025	1
11	PLATE STAINLESS STEEL 8"x19"	WA1PA	1

