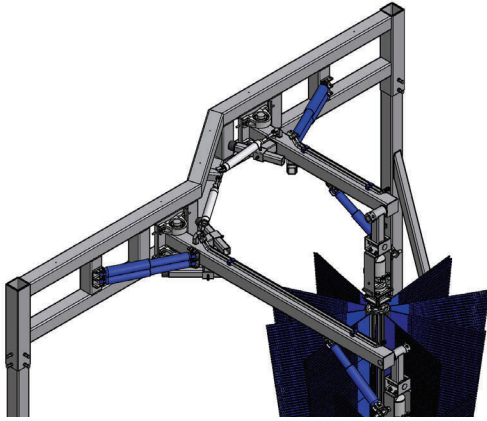
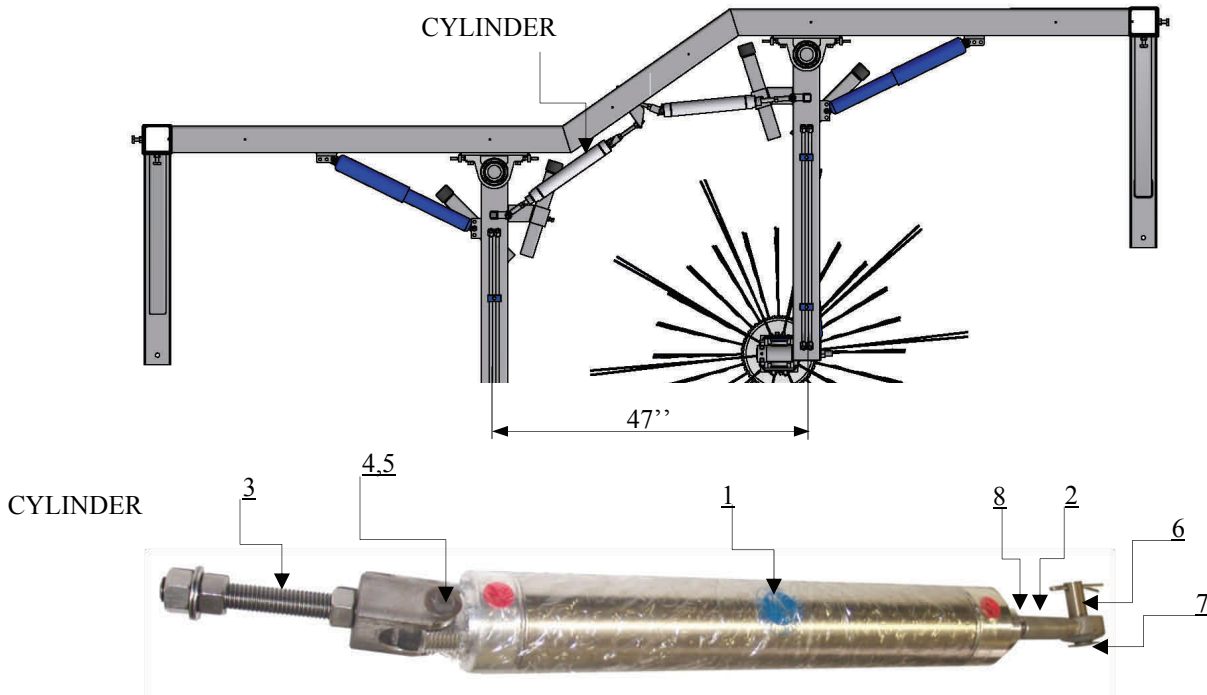


WRAP AIR ASSIST KIT, Model WA1-SK-2011



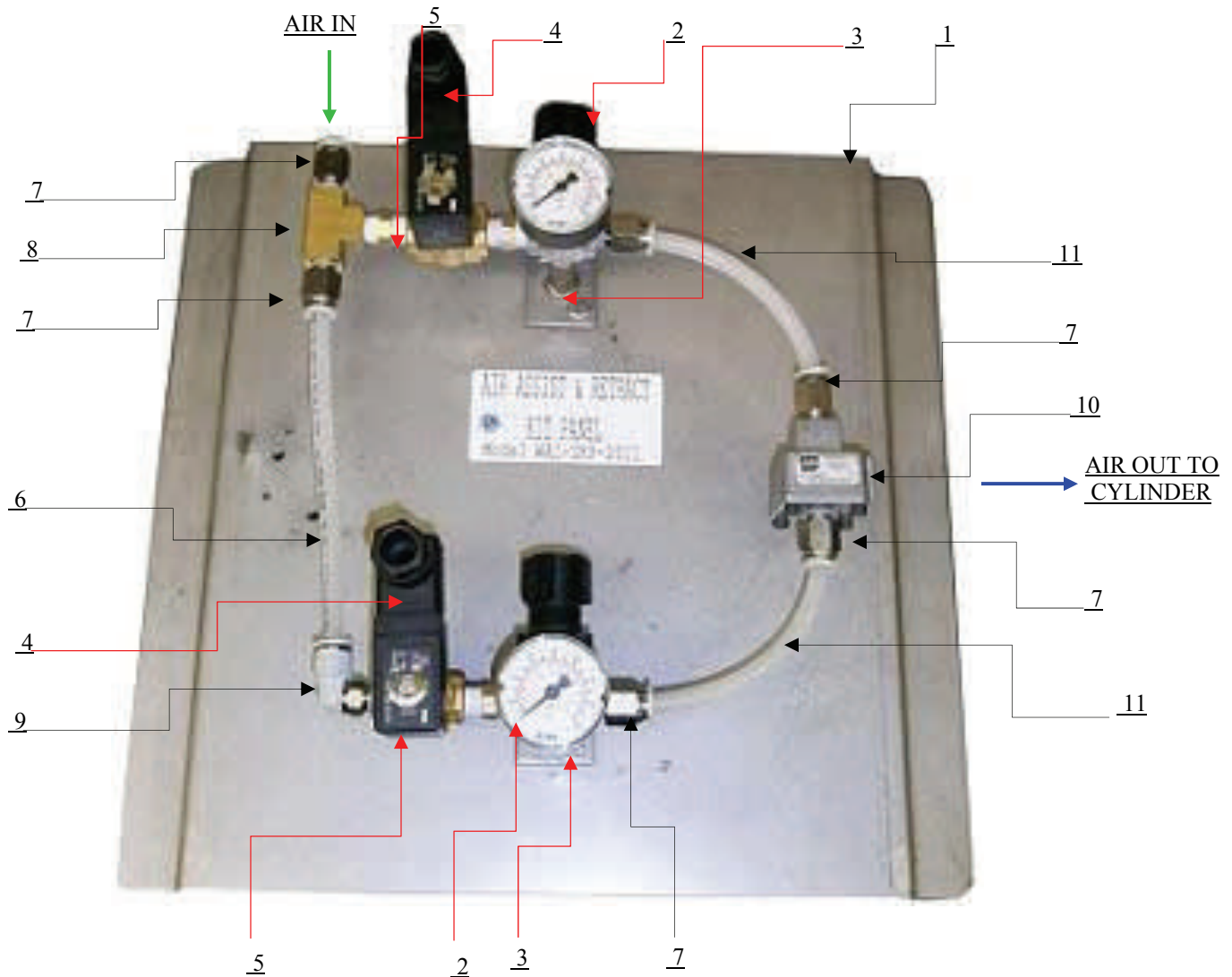
WRAP AROUND -RETRACT KIT



ITEM	PART NAME	PART NUMBER	QTY.
1	CILINDER (2"BORE, 10" STROKE)	AC2X10	2
2	BALL JOINT ROD AND 1/2"-20	BJ1/2-20	2
3	REAR MOUNT: - CLAVIS - THREADED ROD 1/2"-13 x 5" lg - HEX NUT 1/2" - 13	WA2GA WA2GA1 WA2GA2 HN1213	2 2 2 6
4	REAR PIN 3/8" x 1-1/2" lg	WA1GB	2
5	COTTER PIN	CP3/8	2
6	FRONT PIN 1/2" x 2" lg	WA1GC	2
7	COLLAR 1/2"	WA1GD	2
8	JAM NUT 1/2"	JN1220	2



WRAP AIR ASSIST KIT, Model WA1-SKP-2011



ITEM	PART NAME	PART NUMBER	QTY.
1	PANEL 16''x18'' (Stainless Steel)		1
2	AIR REGULATOR ASSEMBLY	AREG1	2
3	STAND OF BRACKET 1/4''		2
4	COIL		2
5	3-WAY DIRECTIONAL VALVE 1/4''	SL1-4-SMC-XXX-3220	2
6	AIR HOSE 3/8'' O.D x 7'' LG	AH38-7-FT	1
7	AIR PUSH FITTING 1/4'' NPTx3/8 Hose	APF3814	6
8	BRASS TEE, 1/4'' Female	TEEBR025	1
9	90° AIR PUSH FITTING 3/8 -1/4''	APF3814-EL90	1
10	QUICK EXHAUST VALVE	OR25B	1
11	AIR HOSE 3/8'' O.D x6'' LG	AH38-6-FT	2

