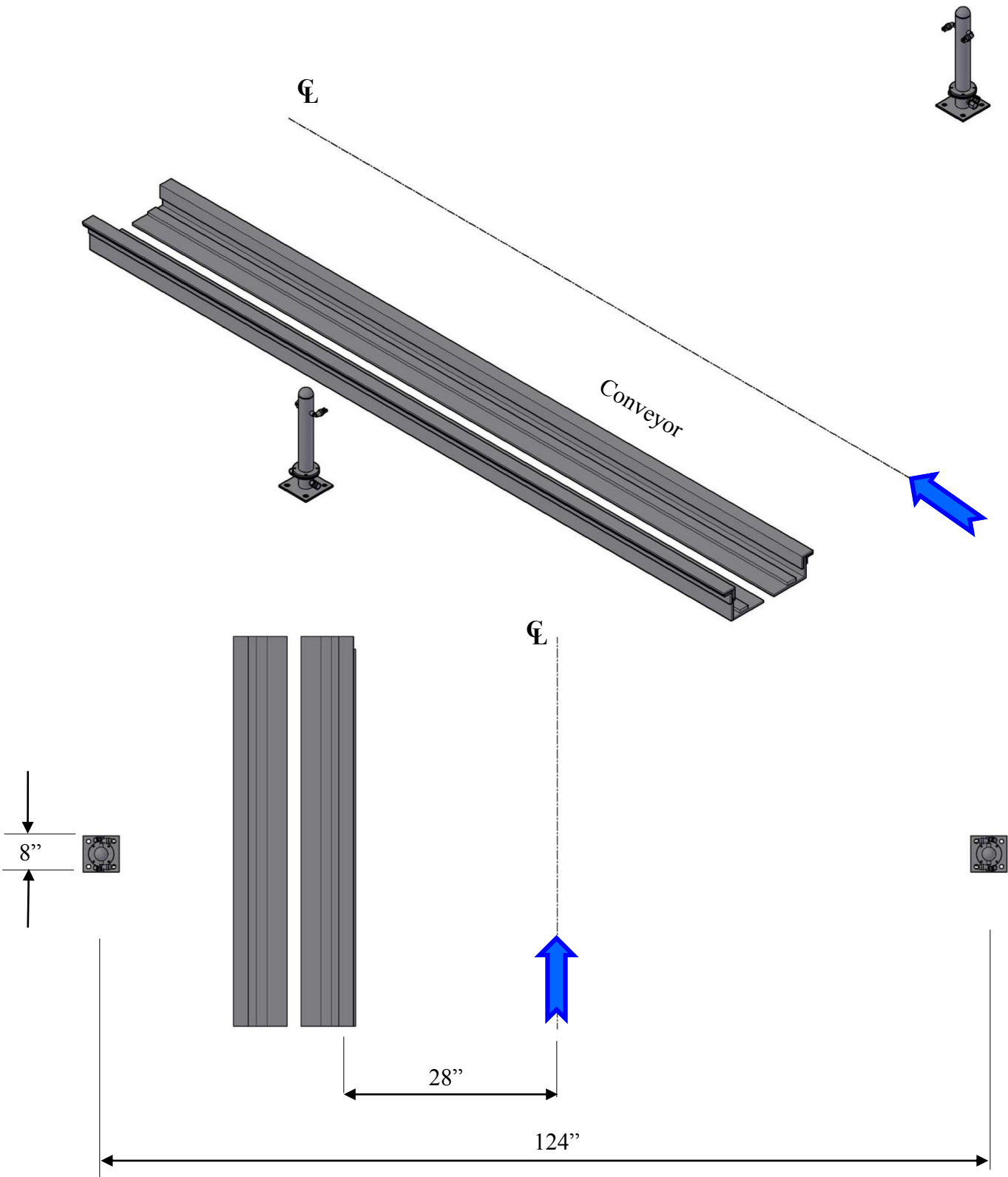


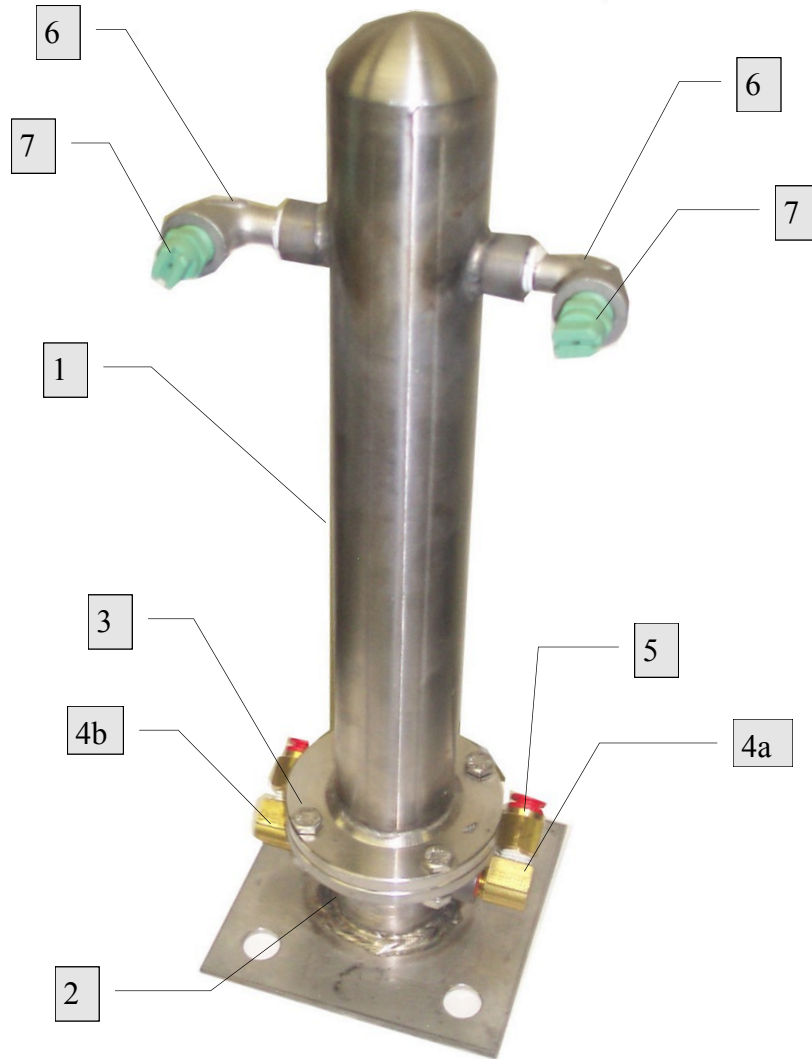
# WHEEL BRITE APPLICATOR, MODEL WBA1A



Space Requirement



# WHEEL BRITE APPLICATOR, MODEL WBA1A



1. TREE



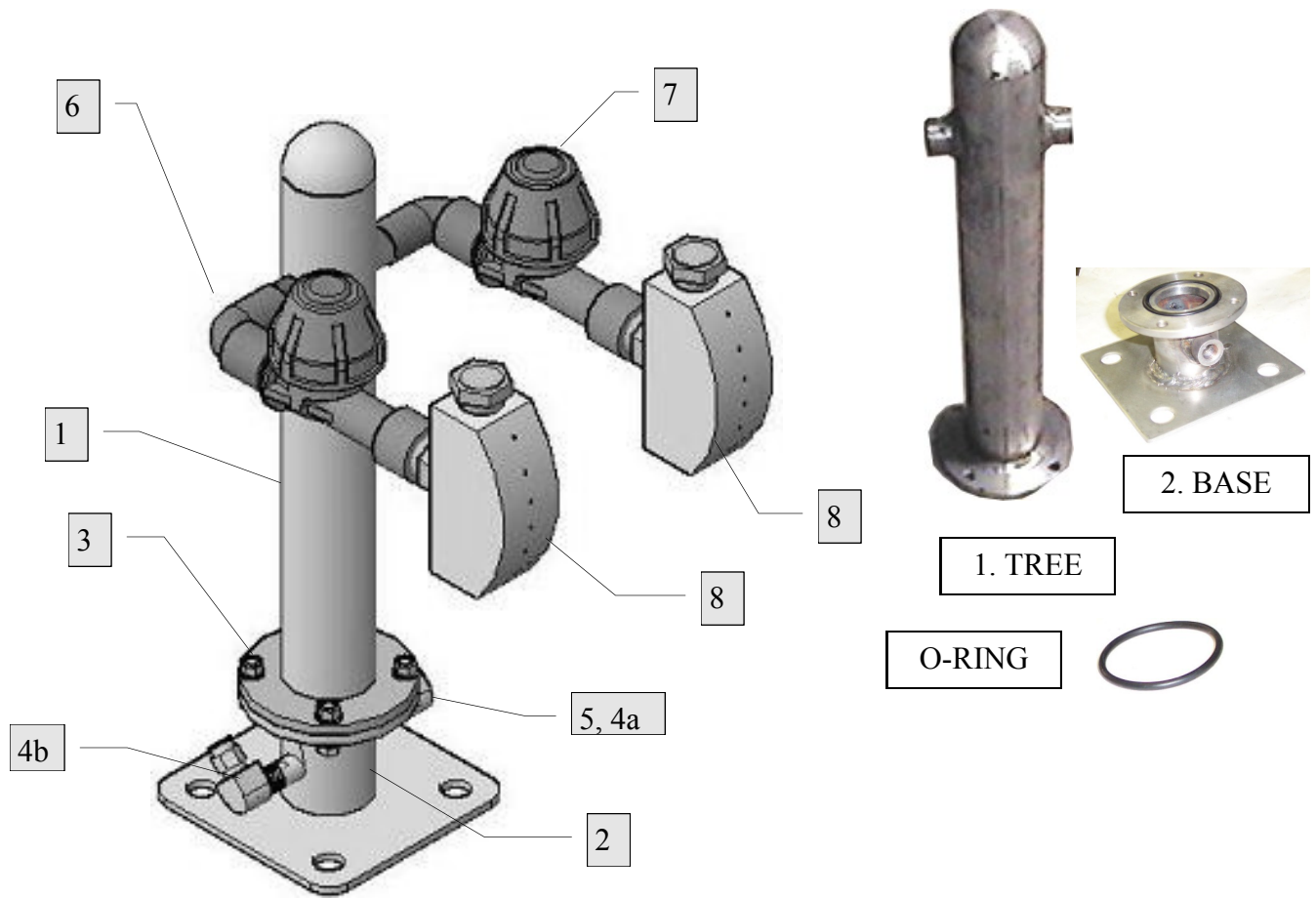
O-RING

2. BASE

ITEM	NAME	PART NUMBER	QTY.
1	TREE w/FOAMING PADE ( In side the Pipe)	WBA1AA	1 1
2	BASE w/BUNA - N O-RING	WBA1AB WBA1AB-OR	1 1
3	SCREW FESTENER SET <ul style="list-style-type: none"> <li>• HEX HEAD CAP SCREW 1/4"- 20 x 1" lg</li> <li>• SPLIT LOCK WASHER 1/4"</li> <li>• HEX NUT 1/4" - 20</li> </ul>	HHCS1420100 SLW14 HN1420	4 4 4 4
4a	AIR INLET —90° STREET ELBOW 1/4" NPT - BRASS	EL90-S-BR025	1
4b	CHEMICAL INLET—90° STREET ELBOW 1/4" NPT—BRASS	EL90-S-BR025	1
5.	AIR PUSH FITTING 1/4"	APF3814	2
6	ELBOW, STAINLESS STEEL	SAE140239-4-4	2
7	PVDF NOZZLE 1/4"	NZ14	2



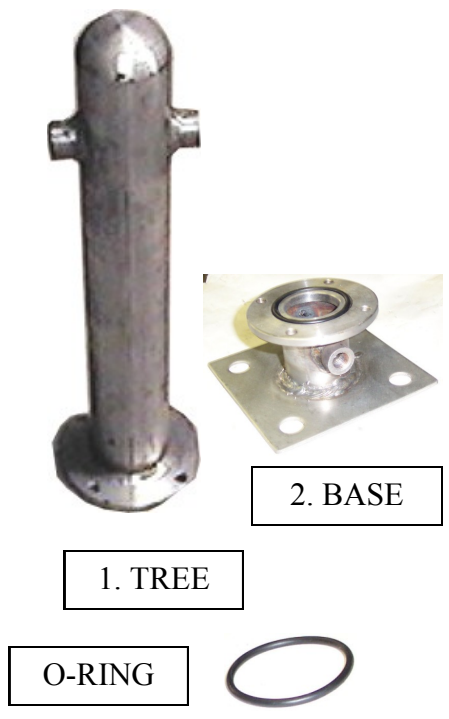
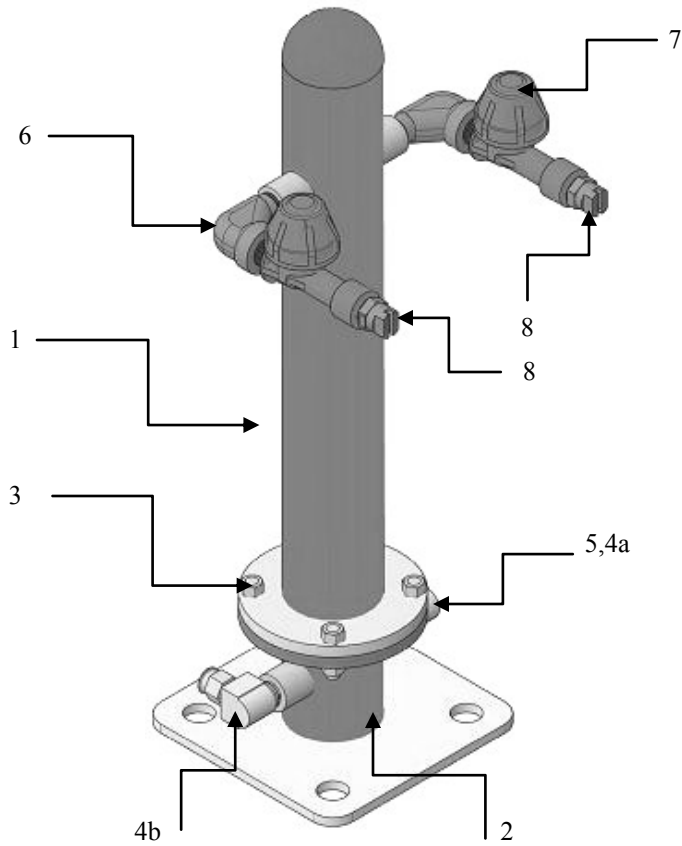
# WHEEL BRITE APPLICATOR, MODEL WBA1A-2511



ITEM	NAME	PART NUMBER	QTY.
1	TREE w/FOAMING PADE ( In side the Pipe)	WBA1AA	1 1
2	BASE w/BUNA - N O-RING	WBA1AB WBA1AB-OR	1 1
3	SCREW FESTENER SET • HEX HEAD CAP SCREW 1/4"- 20 x 1" lg • SPLIT LOCK WASHER 1/4" • HEX NUT 1/4" - 20	HHCS1420100 SLW14 HN1420	4 4 4 4
4a	AIR INLET —90° STREET ELBOW 1/4" NPT - BRASS	EL90-S-BR025	1
4b	CHEMICAL INLET—90° STREET ELBOW 1/4" NPT—BRASS	EL90-S-BR025	1
5.	AIR PUSH FITTING 1/4"	APF3814	2
6	ELBOW, STAINLESS STEEL	SAE140239-4-4	2
7	CHECK VALVE 1/4"	14-SLCV-PPBLK	4
8	PLASTIC SHOWER HEAD (Hockey Pucks) w/plug 1/2" and Inlet 1/2"	AAFB2104	4



# WHEEL BRITE APPLICATOR, MODEL WBA1A-2511



ITEM	NAME	PART NUMBER	QTY.
1	TREE w/FOAMING PADE ( In side the Pipe)	WBA1AA	1 1
2	BASE w/BUNA - N O-RING	WBA1AB WBA1AB-OR	1 1
3	SCREW FESTENER SET • HEX HEAD CAP SCREW 1/4"- 20 x 1" lg • SPLIT LOCK WASHER 1/4" • HEX NUT 1/4" - 20	HHCS1420100 SLW14 HN1420	4 4 4 4
4a	AIR INLET —90° STREET ELBOW 1/4" NPT - BRASS	EL90-S-BR025	1
4b	CHEMICAL INLET—90° STREET ELBOW 1/4" NPT—BRASS	EL90-S-BR025	1
5.	AIR PUSH FITTING 1/4"	APF3814	2
6	ELBOW, STAINLESS STEEL	SAE140239-4-4	2
7	CHECK VALVE 1/4"	14-SLCV-PPBLK	4
8	PVDF NOZZLE 1/4"	NZ14	2

