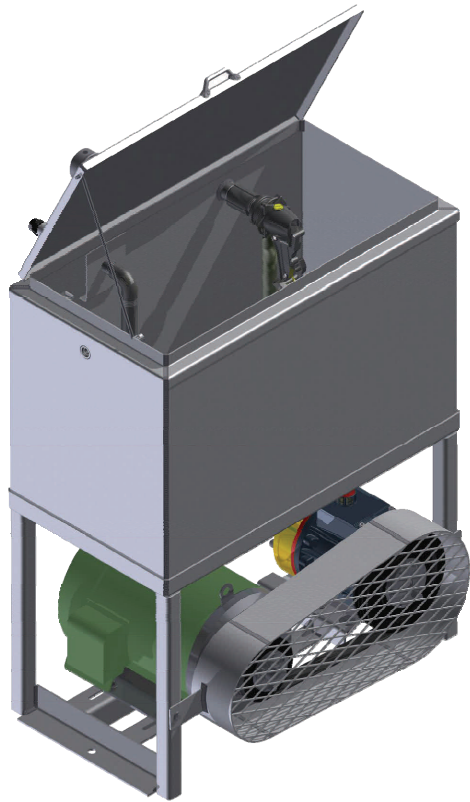


SINGLE PREP PUMPING STATION 8GPM, Model PSD10

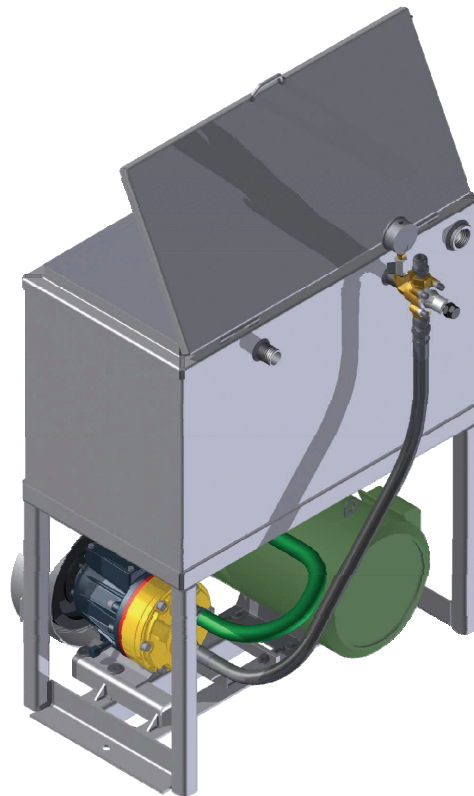
The ***AVW SINGLE PREP HIGH PRESSURE PUMPING STATION*** features a gravity feed tank, with adjustable controls contained inside of tank. No dripping or leakage of fluids from controls on the floor.

- Heavy Duty Stainless Steel***
- Contained Controls***
- Clean Design***

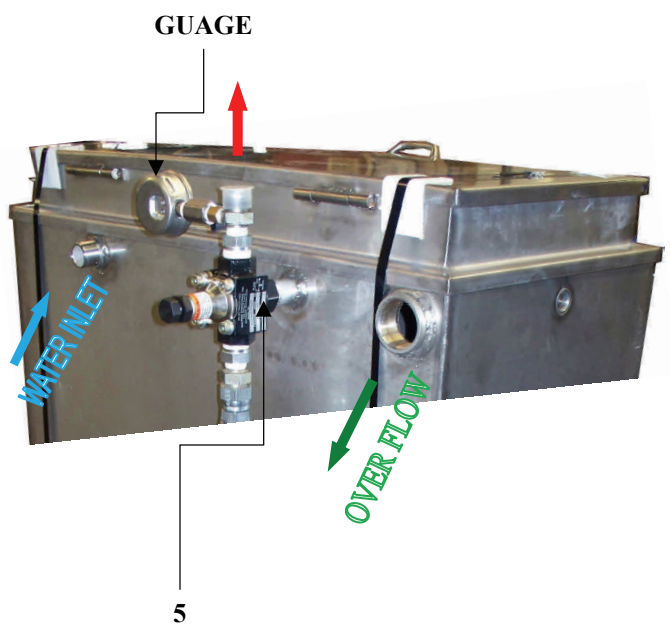
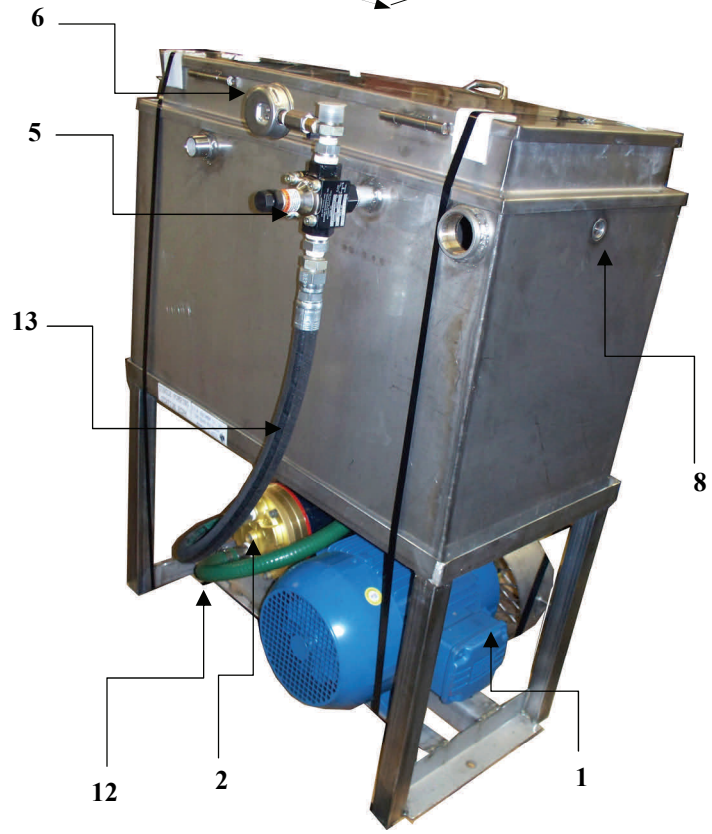
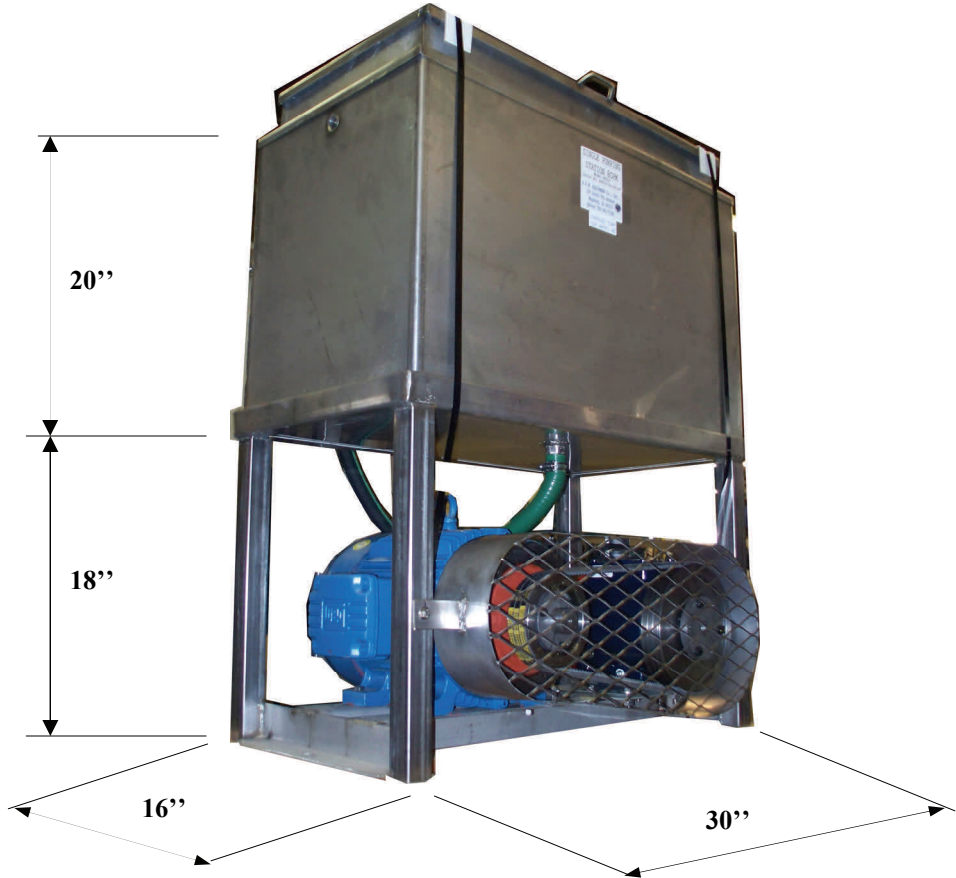
ELECTRICAL MOTOR: 7.5HP, 1770RPM,
PUMP: 8 GPM max at 1450RPM max



DIMENSION: 30''W x 16''D x 38''H
TANK: 30''x 16''x 20''



SINGLE PUMPING STATION 8GPM, Model PSD10



SINGLE PUMPING STATION 8GPM, Model PSD10

ITEM	Description	PART NO.	QTY.
1	ELECTRICAL MOTOR - 7.5HP, 1770RPM, Frame 213TC C-Face, (Shaft Dia. 1-3/8"), Volts 208-230/460, Amps 21.7-19.6/9.80, 60Hz, 3Phase	EM7.5-1800-213TC 	1
2	PUMP - Hydra-Cell –"Wanner Engineering"-Pump Displacement 1.27(cu.in/rev) 8GPM max at 1450RPM max (For this AVW Pumping Station : 6.06GPM at 1103RPM) Inlet Port 1"NPT, discharge port 3/4"NPT, Shaft Dia. Ø7/8"	PSD10-P08 	1
-	BARB (HOSE NIPPLE) 1" x 1"NPT male (mounted to Pump's inlet 2-1/2"NPT), plain steel	 BRB100x100	1
-	MOTOR PULLEY - 5.00"O.D "APEX"	 PSH25-MP-5.00	1
-	PUMP PULLEY - 8.00"O.D "APEX"	 PSH25-PP-8.00	1
-	V-BELT 47-1/2"LG. (center distance 13-1/4")	PSH25-XV-475	3
-	SPLIT TAPER BUSHING 1-3/8" , for motor Shaft	 PSD10-MB-0806	1
-	SPLIT TAPER BUSHING 7/8" , for pump Shaft	 PSD10-PB-0806	1
-	BARB (HOSE NIPPLE) 1"x1" NPT Male (Welded on the bottom of the tank) Plain steel	BRB100x100	1
IN TANK:			
3	A.V.W. HYDRAULIC SUCTION STRAINER , port size 1-1/4NPT, Ø4" x 8" height, perforated metal	 PSD10-SS10	1
4	JOBE TOPAZ VALVE -Hudson Valve (Optional) - Cleveland Valve (Optional)	 FV1-0411	1
5	PRESSURE REGULATOR , 1/2 In, 3 to 50 psi, Max Pressure 300 psi	PSD10-RV10	1
-	GAUGE 0-2000PSI, bottom connection 1/4", liquid filled □ FTB	 G1500	1
-	MINI BALL VALVE 1/4" NPT Male x Female . (Grainger)	 NV1/4-1007	1
-	BLACK PVC PIPE 1"sch 80 x 18" LG (Discharge Down Tube)	PSH25-PDT1x18	



SINGLE PUMPING STATION 8GPM, Model PSD10

ITEM	Description	PART No.	QTY.
6	LOW LEVEL SWITCH (w/pipe 12"LG.) □ Madison Co	LLS1	1
7	TANK - (divided tank, common water) 30"LG x 16"W x 20"H	PSD10-T	1
8	COVER (LID)	PSD10-V	1
-	LID SUPPORT " A.V.W.	LS1-AVW0907	1
9	STAND (Legs: Sq.Tub.1-1/2" x 1-1/2" x 18"LG	PSD10-A	1
-	GUARD (PULLYS COVER)	PSD10-PC	2
10	INTAKE HOSE PVC 1-1/4" I.D. x 25"LG.	PSD10-NH	1
-	INTAKE HOSE CLAMP (Range 11/16"-1-1/4") "Breeze"	PSD10-NH-C	2
11	DISCHARGE HOSE (PRESSURE LINE) 3/4" I.D. x 32"LG., Aeroquip	PSD10-DH	1
-	CRIMP FITTINGS 1" (for Discharge Hose) -Male ("Aeroquip")	-	1
	-Female ("Aeroquip")	-	1

