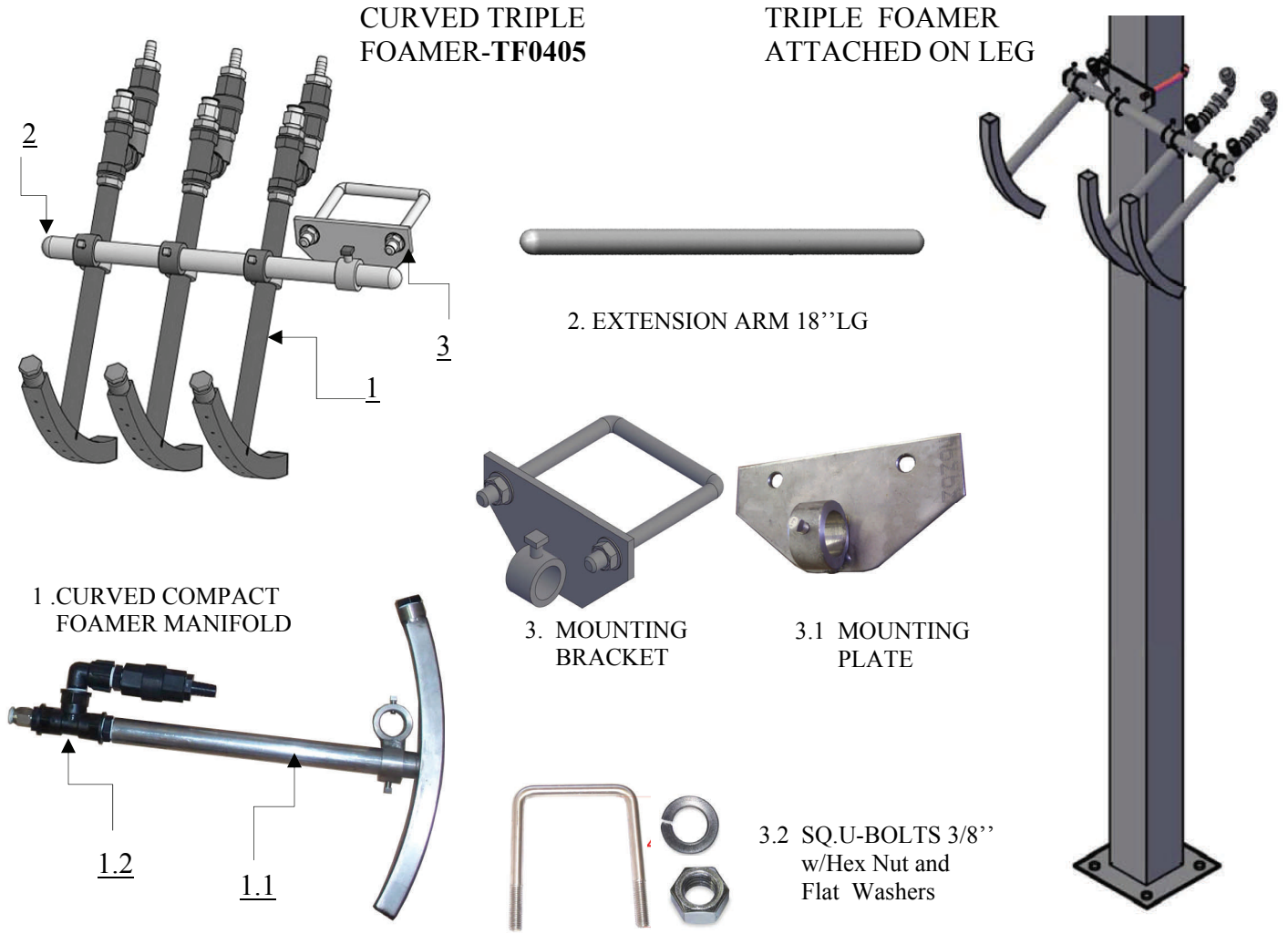


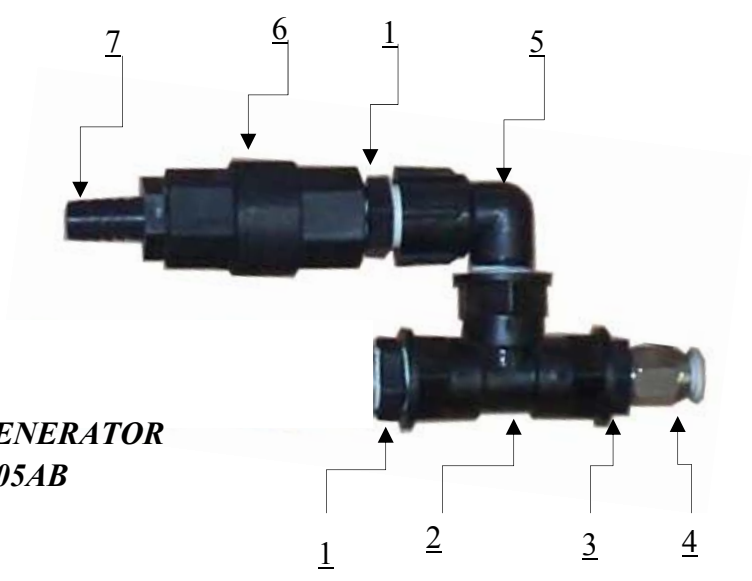
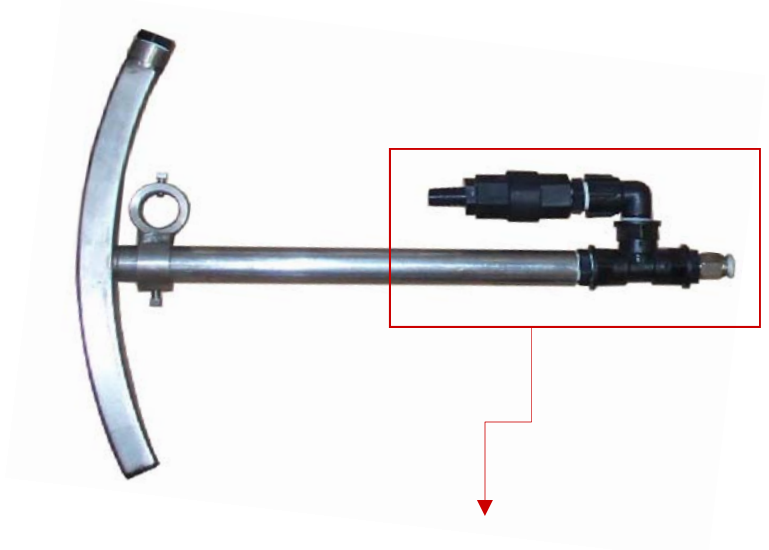
CURVED TRIPLE FOAMER, Model TF0405



ITEM	NAME	PART NUMBER	QTY.
1	CURVED COMPACT FOAMER MANIFOLD w/Dual COLAR and Foam G.	SF0405A	6/SET
1.1	CURVED COMPACT FOAMER MANIFOLD-12" LG w/Dual COLAR	SF0405AA	6/SET
1.1.1	CURVED COMPACT FOAMER MANIFOLD ONLY	SF0405AAA	6/SET
1.1.2	DUAL COLLAR 1" I.D.x1-1/2" O.D.w	SF0405AAB	6/SET
1.2	FOAM GENERATOR	SF0405AB	6/SET
2	EXTENSION ARM 18"	SF0405B-18	2/SET
3	CURVED COMPACT MOUNTING BRACKET	-	2/SET
3.1	MOUNTING PLATE w/COLLAR	SF0405C	2/SET
3.2	SQ.U-BOLTS 3/8" Size with	UB-SQ0375x1400	2/SET
	- HEX NUT 3/8" and	HN3816	4/SET
	- FLAT WASHER 3/8"	FW38100	4/SET



CURVED COMPACT FOAMER, FOAM GENERATOR



**FOAM GENERATOR
SF0405AB**

ITEM	NAME	PART NUMBER	QTY.
1	HEX NIPPLE 1/2"	NPLPP050050	2
2	Female Tee 1/2NPT	TEEPP050	1
3	REDUCER BUSHING 1/2"x1/4"	RB-1214RHB-PPBLK	1
4	AIR PUSH FITTING 1/4"x3/8"NPT	APF3814	1
5	ELBOW 1/2"NPTx1/2"NPT Female	EL90-S-PP050	1
6	CHECK VALVE 1/2"NPT Female	SLCV12	1
7	BARB 1/2"x1/2"NPT	12MNPTHB-PPBLK	1

