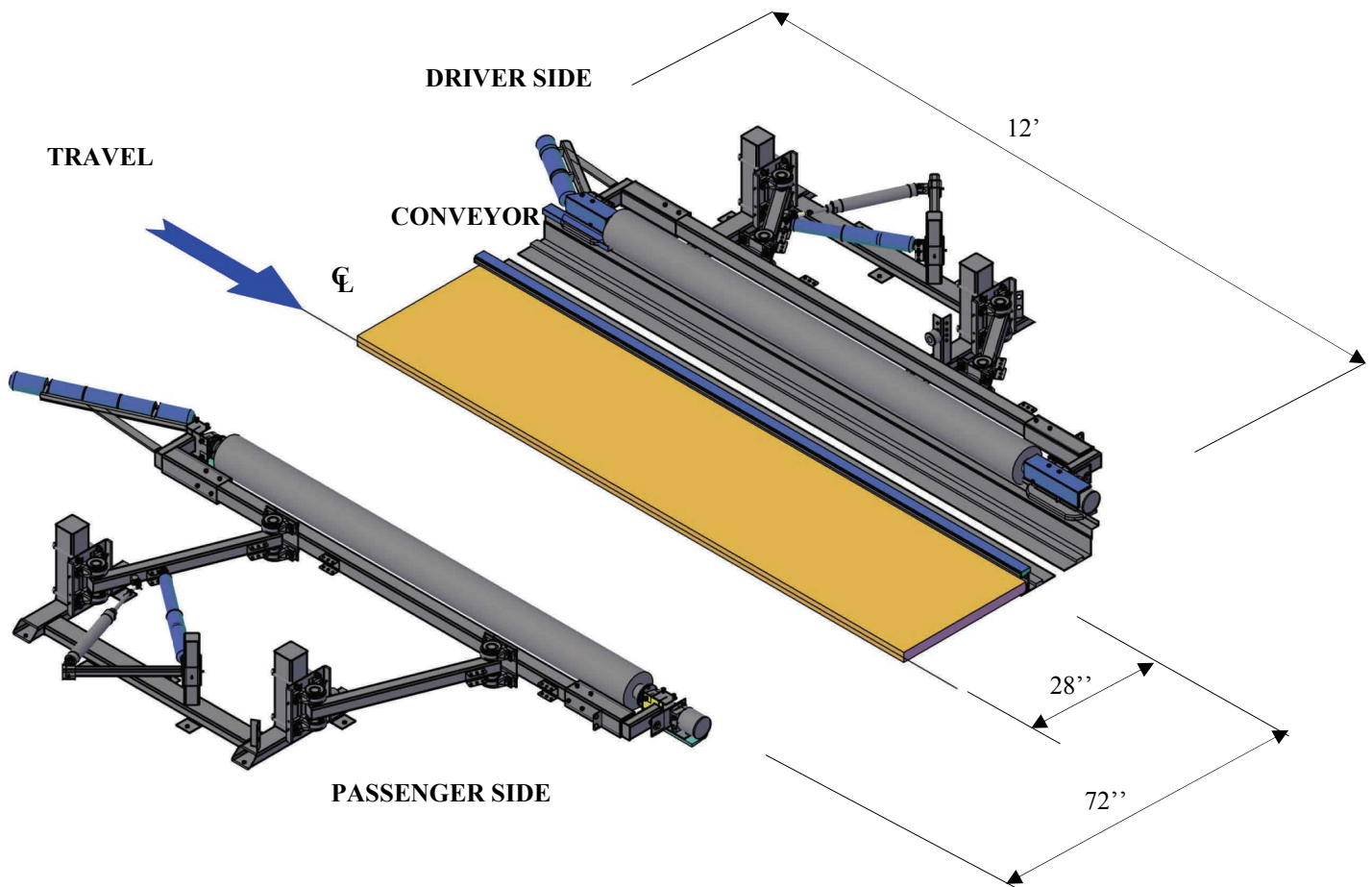


TIRE WASHER, Model TB2-1655

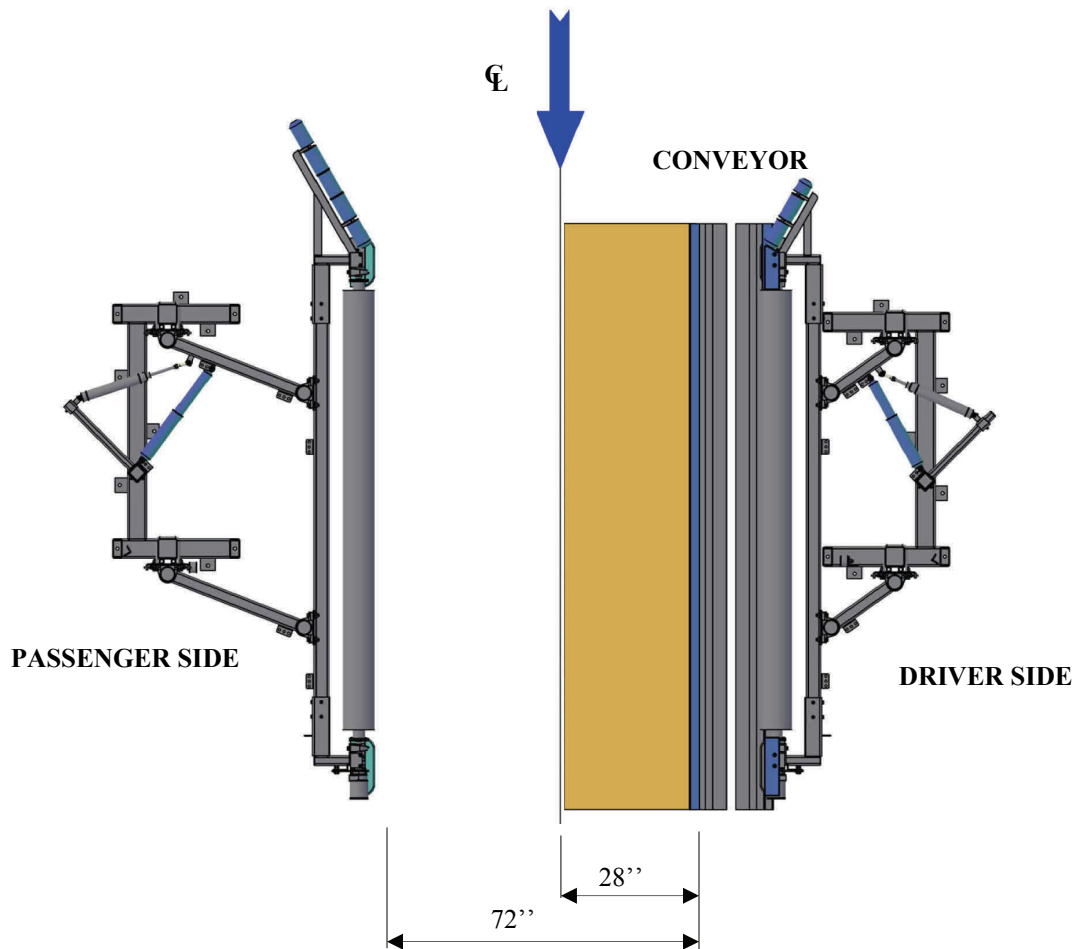
The AVW Stainless Steel **Tire Washer** is low profile, will operate under most mitter curtains. Air Retract option is available.

- Heavy Duty Stainless Steel
 - Nickel Plated Bearings
 - Low Profile
 - 94'' lg. Brush
 - Hydraulic Drive
 - Adjustable Height
- UHMW Covered Tire Contact Points
 - Straight Brush (8'') scrubs Tires.

Stepped Tire Washer Cleans Outer Rims as well as Tires.



TIRE WASHER POSITION



Driver Side Brush: When Brush is fully collapsed the hydraulic motor should be even with the outside conveyor guide rail to contain the car in the conveyor.

Passenger Side Brush: When Brush is fully collapsed the hydraulic motor should be no less than 72" from the inside conveyor guide rail to allow ample space for vans.

RPM: 60-80 RPM

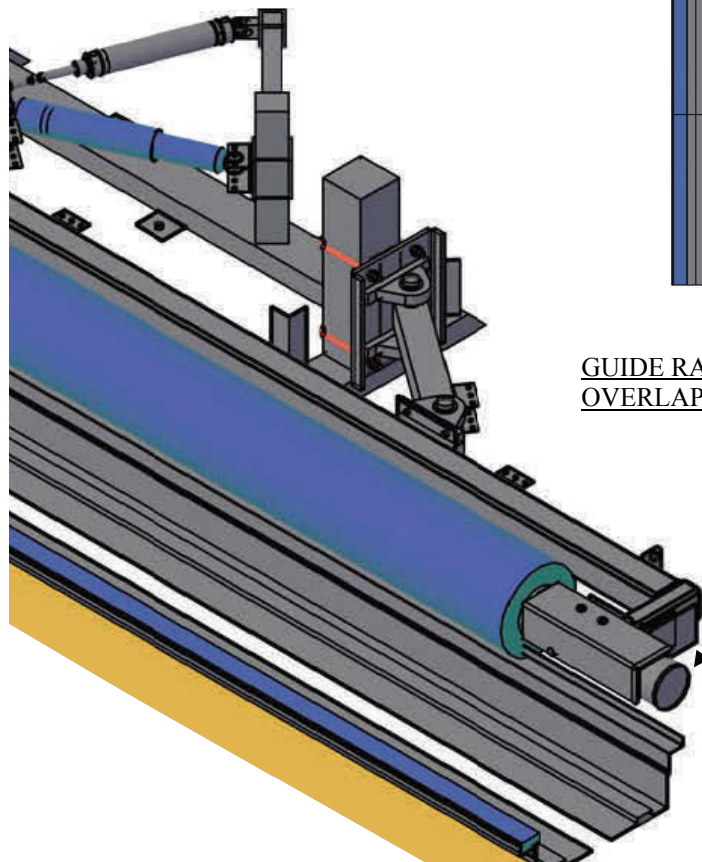
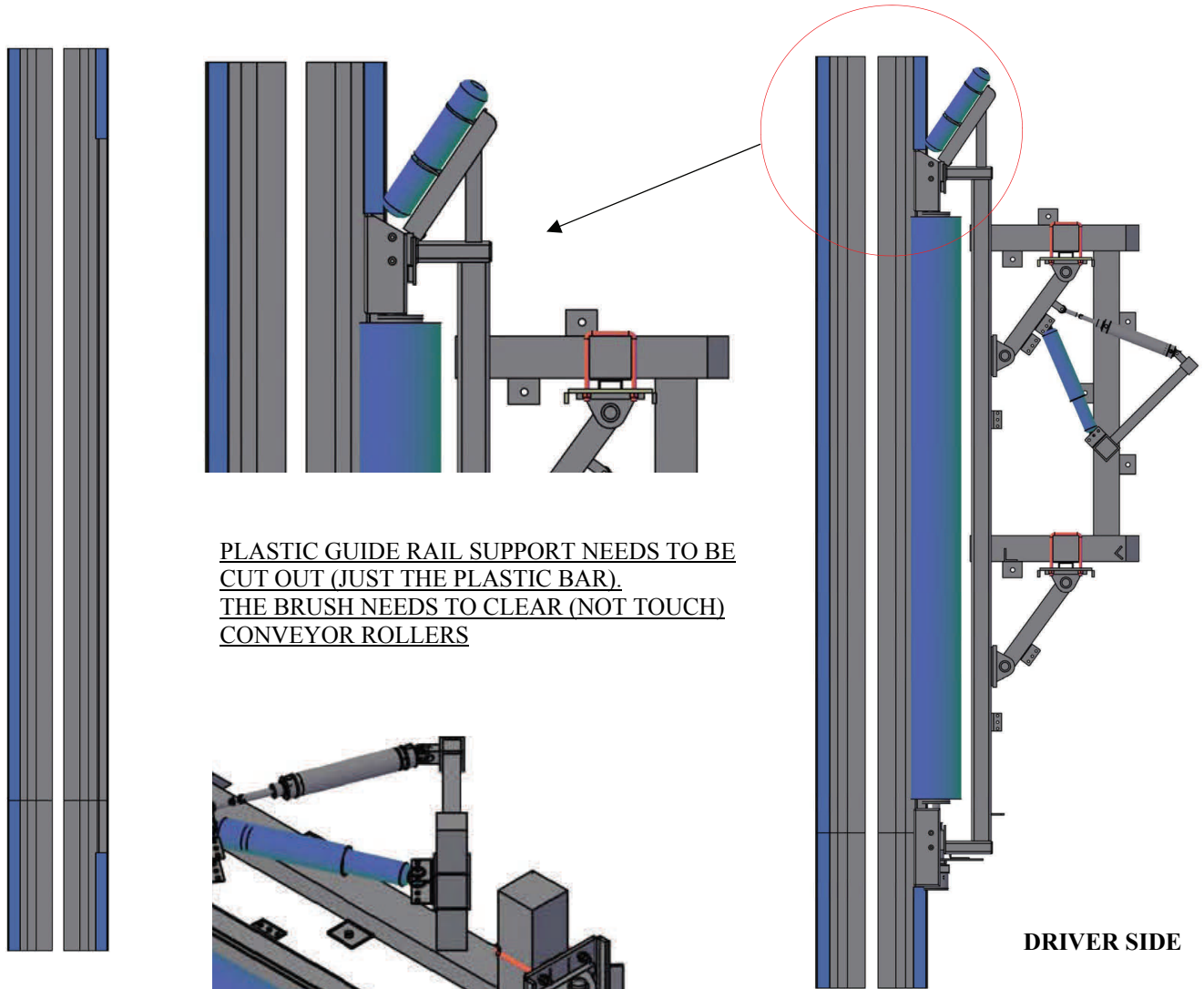
Maintenance: Grease bearings weekly.

Height Adjustment: To adjust height, loosen bolts on bearings at base mount and adjust left or right for up & down movement of brush. When desired height is found, tighten all bolts.

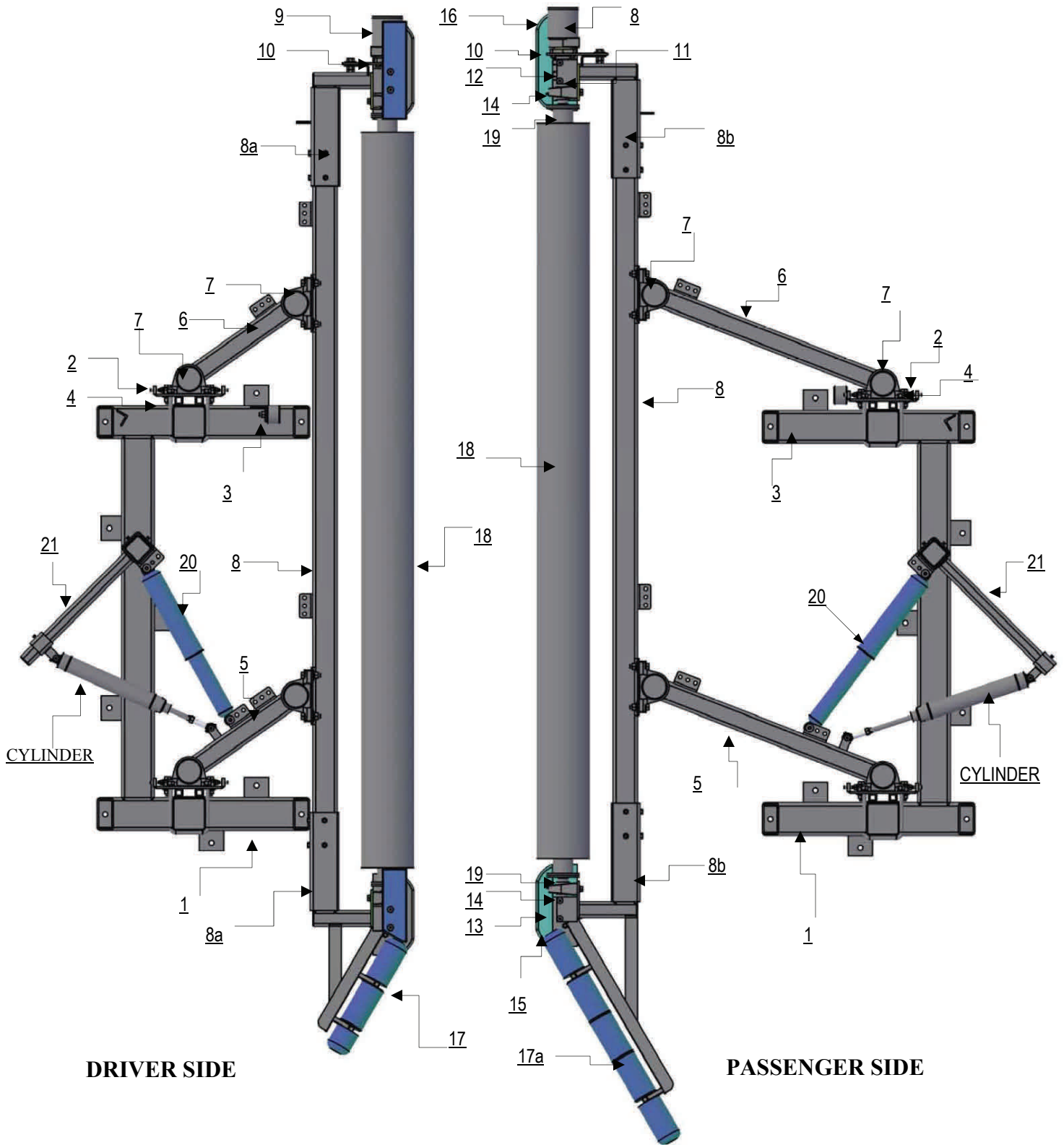


TIRE WASHER POSITION

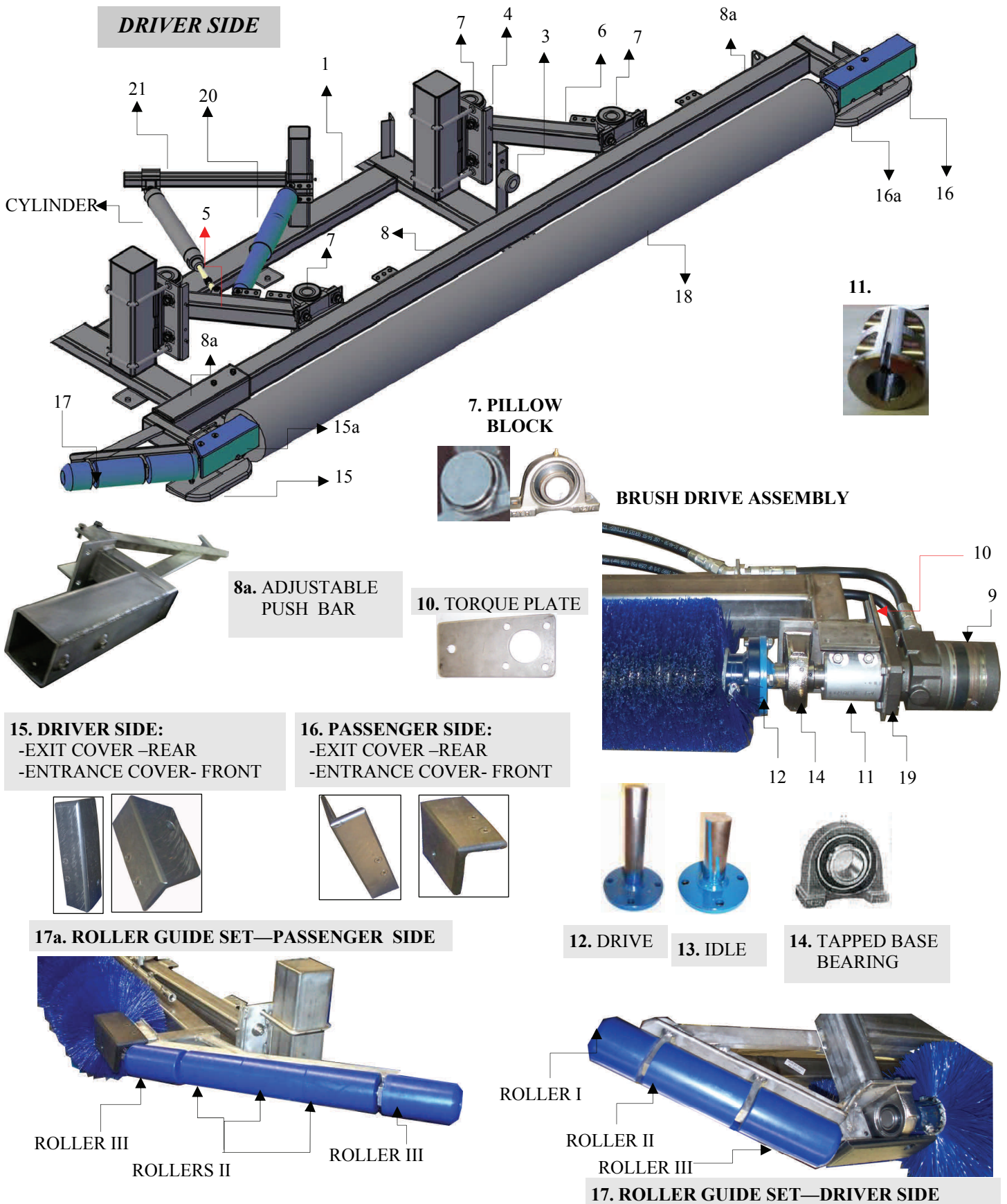
TIRE BRUSH - POSITION OF DRIVER SIDE



TIRE WASHER Model TB2, STEPPED TIRE WASHER, Model TB2



TIRE WASHER Model TB2, STEPPED TIRE WASHER, Model TB2



DRIVER SIDE

CYLINDER

**7. PILLOW
BLOCK**

BRUSH DRIVE ASSEMBLY

**8a. ADJUSTABLE
PUSH BAR**

10. TORQUE PLATE

15. DRIVER SIDE:
-EXIT COVER -REAR
-ENTRANCE COVER- FRONT

16. PASSENGER SIDE:
-EXIT COVER -REAR
-ENTRANCE COVER- FRONT

17a. ROLLER GUIDE SET—PASSENGER SIDE

12. DRIVE

13. IDLE

**14. TAPPED BASE
BEARING**

ROLLER III

ROLLERS II

ROLLER III

ROLLER I

ROLLER II

ROLLER III

17. ROLLER GUIDE SET—DRIVER SIDE



TIRE WASHER Model TB2, STEPPED TIRE WASHER, Model TB2

SHOCK ABSORBER ASSEMBLY



20. SHOCK ABSORBER

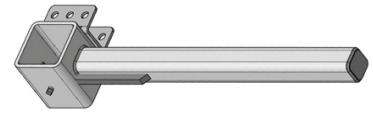
PIN



COLLAR



20.1 MOUNTING BRACKETS w/GUSSETS



21. TIRE WASHER RETRACT KIT



JAM NUT

PIN

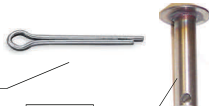


COTTER PIN

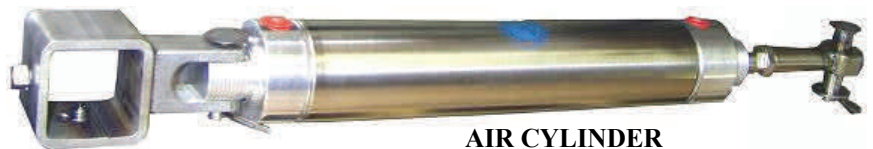


REAR MOUNT for AIR CYLINDER

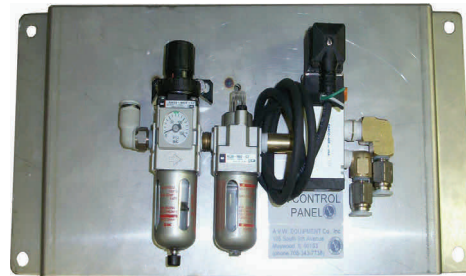
COTTER PIN



PIN



AIR CYLINDER



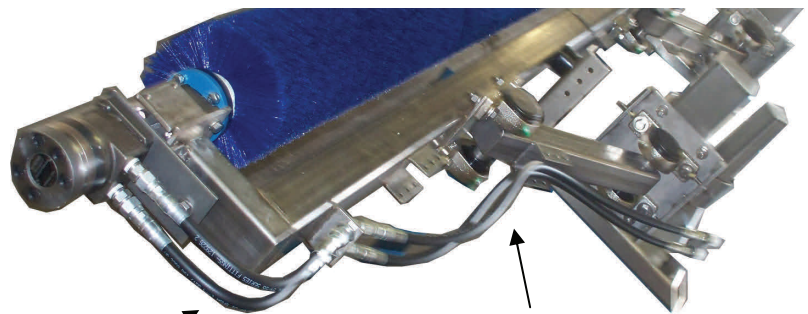
21.a AIR CONTROL PANEL

23. HYDRAULIC INSTALLATION

FITTING – bulkhead 45°



FITTING – straight bulkhead



HYDRAULIC HOSE ASSEMBLY 1

HYDRAULIC HOSE ASSEMBLY 2



TIRE WASHER Model TB2, STEPPED TIRE WASHER, Model TB2

ITEM	Description	DRIVER SIDE		PASSENGER SIDE	
		PART NO.	Qty	PART NO.	Qty
-	TIRE BRUSH SIDE	TB2A	1	TB2B	1
-	FRAME ASSEMBLY	TB2AA	1	TB2BA	1
1	FRAME	TB2AAA	1	TB2BAA	1
2	HEX HEAD CAP SCREW 3/8''-16x2''LG Fully Threaded (for Pillow block bearings adjust.)	HHCS3816200F	8	HHCS3816200F	8
3	RUBBER STOP	WA1DBB	1	WA1DBB	1
-	Screw Fastener Set for Rubber Stop:	-	1	-	1
-	Hex Head Cap Screw 3/8''-16x2''lg	HHCS3816200F	1	HHCS3816200F	1
-	Flat Washer 3/8''I.D.x7/8''O.D	FW38087	1	FW38087	1
-	Hex Nut 3/8''-16	HN3816	1	HN3816	1
4	PILLOW BLOCK BEARINGS MOUNTING PLATE	TB2AAC	2	TB2AAC	2
-	Mounting Plate	TB2AACA	2	TB2AACA	2
-	Square U-Bolt Fastener Set 1/2''	RB2ABB	4	RB2ABB	4
-	Square U-Bolt 1/2''x17''LG	UB-SQ050x17	4	UB-SQ050x17	4
-	Split Lock Washer 1/2''	SLW1/2	8	SLW1/2	8
-	Hex Nut 1/2''-13	HN1213	8	HN1213	8
5	FRONT ARM (ENTRANCE END)	TB2ABX18	1	TB2BBX32	1
6	REAR ARM (EXIT END)	TB2ACX18	1	TB2BCX32	1
7	PILLOW BLOCK BEARINGS 1-1/4''(Capped)	TB1WB	4	TB1WB	4
-	Cap	TB1WC	4	TB1WC	4
-	Pillow Block (Non Capped)	RB1WB	4	RB1WB	4
-	Screw Fastener Set for Rubber Stop:	-	16	-	16
-	Hex Head Cap Screw 1/2''-13x2-1/4''lg	HHCS1213225	16	HHCS1213225	16
-	Flat Washer 1/2''I.D.x1-1/4''O.D	FW12125	32	FW12125	32
-	Hex Nut 1/2''-16	HN1213	16	HN1213	16
-	BRUSH -RACK SUPPORT FRAME ASSEMBLY:	TB2AD-4B-0810	1	TB2BD-4B-0810	1
8	BRUSH SUPPORT FRAME (RACK)	TB2ADA-4B-0810	1	TB2BDA-4B-0810	1
-	-FRAME	TB2ADAA-4B-0810	1	TB2BDAA-4B-0810	1
8a	-ADJUSTABLE PUSH BAR	TB2ADABA-4B-0810	1	TB2BDABA-4B-0810	1
-	BRUSH DRIVE ASSEMBLY(4-Bolt spindle Des.)	TB2ADB-4B	1	TB2ADB-4B	1
9	HYDRAULIC MOTOR Displacement	TB1ADBM	1	TB1ADBM	1
-	(5.0 cu.in./rev.)				
	Straight Fitting 1/2'' NPTMx1/2''JIC	SAE070102-8-8	2	SAE070102-8-8	2
10	TORQUE PLATE	TB2ADB1-4B	1	TB2ADB1-4B	1
-	Screw fastener set: 3/8''-16x3/4''lg (Torque plate)	-	2	-	2



TIRE WASHER Model TB2, STEPPED TIRE WASHER, Model TB2

ITEM	Description	DRIVER SIDE		PASSENGER SIDE	
		PART NO.	Qty	PART NO.	Qty
11	ALUMINIUM COUPLING 1" x 1-1/4"	TB2ADBC	1	TB2ADBC	1
12	DRIVE SHAFT Ø 1-1/4"x6" Lg (4-Bolt Design):	TB2ADBA-4B	1	TB2ADBA-4B	1
-	SOCKET HEAD CAP SCREW (w/flat head) 3/8-16x1"lg	SHCS3816100F	4	SHCS3816100F	1
13	IDLE Ø1-1/4" (4-bolt design)	TB1AD1-4B	1	TB1AD1-4B	1
-	SOCKET HEAD CAP SCREW (w/flat head) 3/8-16x1"lg	SHCS3816100F	4	SHCS3816100F	4
14	TAPPED BASE BEARING 1-14"	TB1ADDA	2	TB1ADDA	2
-	Screw Fastener Set for Bearing:	-	4	-	4
-	Hex Head Cap Screw 7/16"-14x3/4"LG	HHCS71614075	4	HHCS71614075	4
-	Split Lock Washer 7/16"	SLW7/16	4	SLW7/16	4
15	ENTRANCE COVER (FRONT)	TB2AD2-0809	1	TB2BD2-0809	1
15a	Bumper Front 10" LG	TB2AD2	1	TB2BD2	1
16	EXIT COVER (REAR)	TB2AD3-0809	1	TB2BD3-0809	1
16a	Bumper Rear 12" LG	TB2AD3	1	TB2BD3	1
-	CARRIAGE BOLT 3/8"-16x1-1/4"lg	CBS3816125	4	CBS3816125	4
-	HEX NUT 3/8"	HN3816	4	HN3816	4
17	ROLLER GUIDE SET (PUSH BAR)	TB1ADC	1	TB1BDC	1
-	Roller I (Dia. 3"x3"lg)	TB1ADC1-0209	1	-	-
-	Roller II (Dia. 3"x5-5/8"lg)	TB1ADC2-0209	1	TB1ADC2-0209	3
-	Roller III (Dia. 3"x5-5/8"lg)	TB1ADC3-0209	1	TB1ADC3-0209	2
-	Collars 3/4"O.D. x 1-1/4"O.D. x 7/8W	VD3L-34x125	2	VD3L-34x125	2
-	Shaft (Dia. 3/4"x14-1/2"lg)	TB1ADC4-0209	1	TB1BDC4-0209	1
-	BRUSH SET	TB1ADE-4B-94	1	TB1ADE-4B-94	1
18	BRUSH 8"x94"lg	TB1ADEA-4B-94	1	TB1ADEA-4B-94	1
18a	STEPPED BRUSH – For Stepped Tire Brush (Option)	TB1ADEA-4B-94-1655	1	TB1ADEA-4B-94-1655	1
19	4-BOLT SPINDLE	TB1ADEB-4B	2	TB1ADEB-4B	2
-	SHOCK ABSORBER ASSEMBLY:	TB1AE	1	TB1AE	1
20	SHOCK ABSORBER	WA1FAA	1	WA1FAA	1
-	SHOCK ABSORBER'S MOUNTING BRACKET	TB2AG-1104	1	TB2AG-1104	1
-	UHMW BUSHING 3/8" I.D.	WA1FA1	2	WA1FA1	2
-	PIN Ø3/8"x3"lg	TB1AEA	2	TB1AEA	2
-	COLLAR 3/8"	WA1FC	2	WA1FC	2
20.1	MOUNTING BRACKETS w/GUSSETS	TB2AG-1104		TB2AG-1104	



TIRE WASHER Model TB2, STEPPED TIRE WASHER, Model TB2

ITEM	Description	DRIVER SIDE		PASSENGER SIDE	
		PART NO.	Qty	PART N O.	Qty
21	TIRE WASHER RETRACT KIT (OPTIONAL)	TB2AF	1set	TB2AF	1set
-	REAR MOUNT for Air Cylinder	TB2AGB-1104	1	TB2AGB-1104	1
-	AIR CYLINDER (2'' Bore, 8'' Stroke)	AC2X8-R	1	AC2X8-R	1
-	BALL JOINT ROD END 1/2''-20 (female)	BJ1/2-20	1	BJ1/2-20	1
-	PIN 1/2''x2''lg (front and rear)	WA1GC	2	WA1GC	2
-	COTTER PIN	CP1/2	2	CP1/2	2
-	JAM NUTS	-	1	-	1
21a	RETRACT AIR CONTROL PANEL	WA1P	1	N/A	-
	FRL COMBINATION	FRL1/4	1	-	-
	(Filter, Regulator, Lubricator 1/4)			-	-
	4-WAY DIRECTIONAL VALVE 1/4''	4WDV1/4	1	-	-
	-90 AIR PUSH FITTINGS	APF3814-EL90	1	-	-
	-AIR PUSH FITTINGS	APF3814	2	-	-
	-90 STREET ELBOW	EL90-S-BR025	1	-	-
	-HEX NIPPLE	NPLBR025HEX	1	-	-
	-NIPPLE	-	1	-	-
23	HYDRAULIC INSTALLATION:	TB1L	1	TB1L	1
-	HYDRAULIC HOSE 1 ASSEMBLY:	TB1LA	2	TB1LA	2
	Hydraulic Hose 3/8''I.D.x14''lg. (thermoplastic)	SAE100R7-06x14	2	SAE100R7-06x14	2
	Crimp Fitting SAE 37° JIC swivel (female)	FC5810-0806	4	FC5810-0806	4
-	HYDRAULIC HOSE 2 ASSEMBLY:	TB1LB	2	TB1LB	2
	Hydraulic Hose 3/8''I.D.x40''lg. (thermoplastic)	SAE100R7-06x40	2	SAE100R7-06x40	2
	Crimp Fitting SAE 37° JIC swivel (female)	FC5810-0806	4	FC5810-0806	4
-	FITTING – bulkhead 45° elbow 1/2''JICx1/2''JIC, brass	SAE070801-8-8	2	SAE070801-8-8	2
-	FITTING – straight bulkhead 1/2''JICx1/2''JIC, brass	SAE070601-8-8	2	SAE070601-8-8	2

