

PIVOTING WHEEL BLASTER, Model PWB1

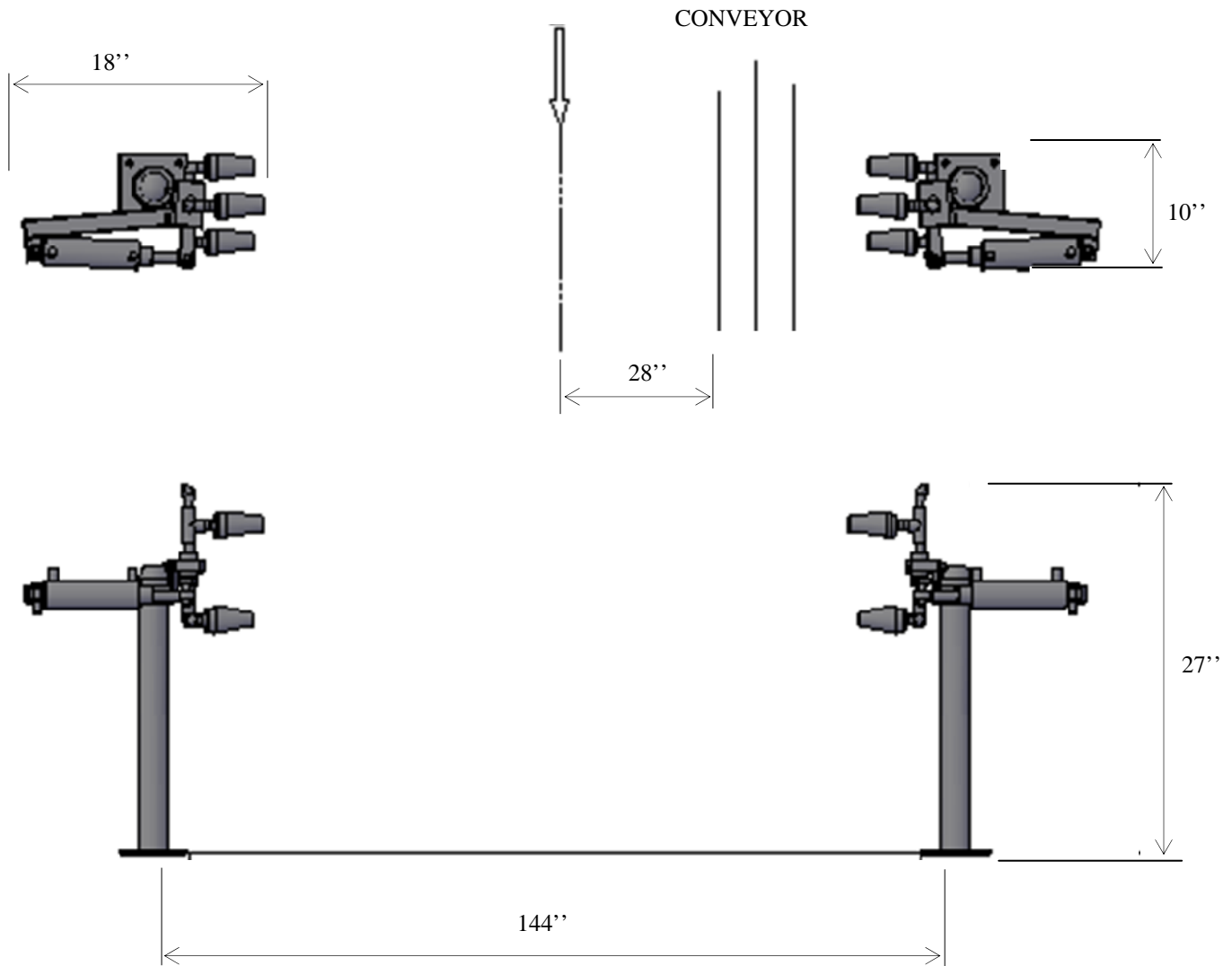
The **AVW** Stainless Steel **Pivoting Wheel Blaster** unit helps clean to toughest areas of the vehicle. Whitewalls, wheel wells, wheels and little space is required.

- Heavy Duty Stainless Steel
- Turbo motion for better atak angle
 - Less maintenance
- Works best on hard to clean wheels
- Cleans rockers area as much as bumpers

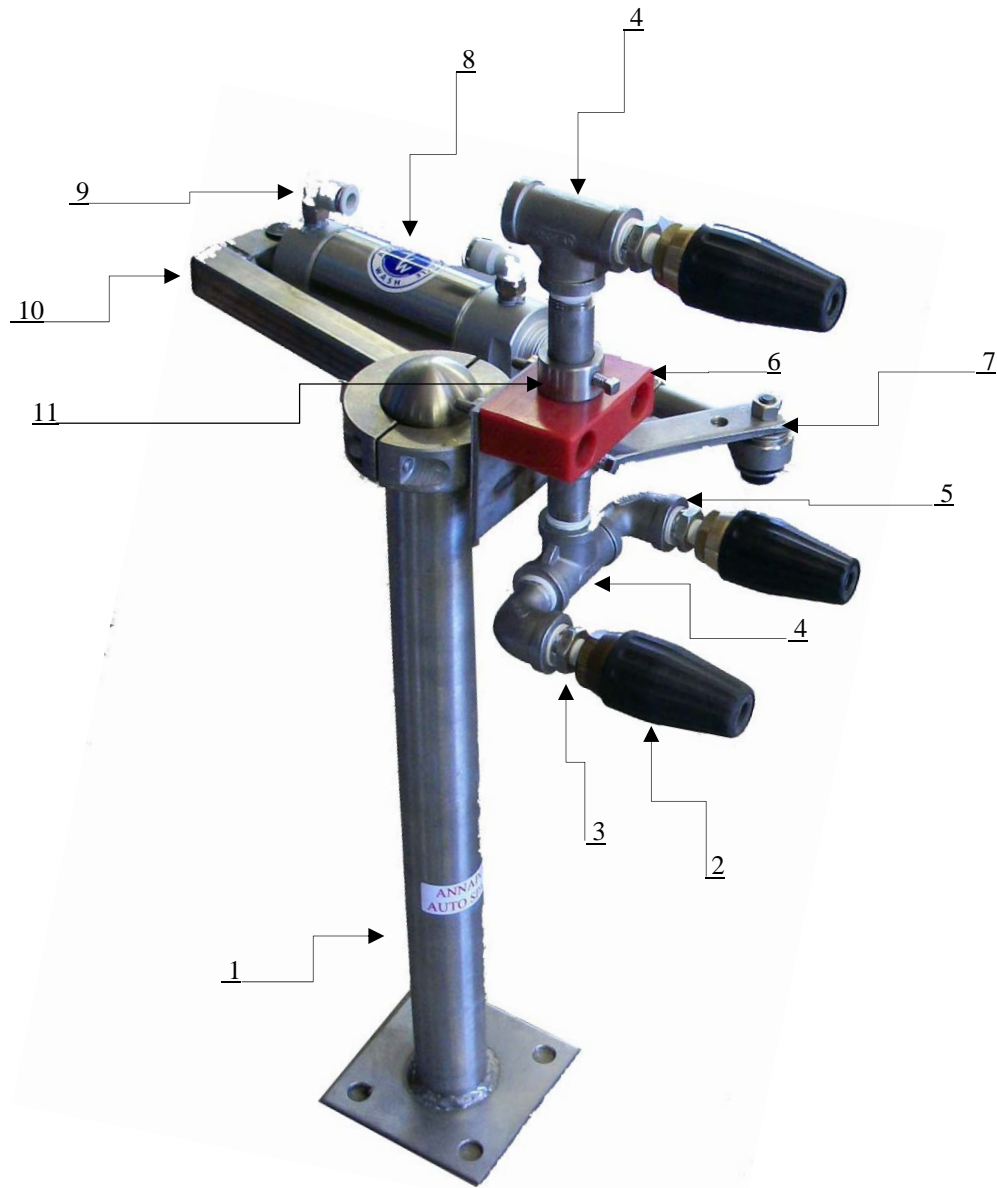
Water: 1/2 NPT

Tunnel Center Line: 28'' from inside conveyor rail (71cm)

Air 1/4''NPT



PIVOTING WHEEL BLASTER, Model PWB1



10. CYLINDER BRACKET



BALL JOINT w/ SHOLDER BOLT And HEX NUT



PIN



6. UHMW BLOCK w/Fastener Set

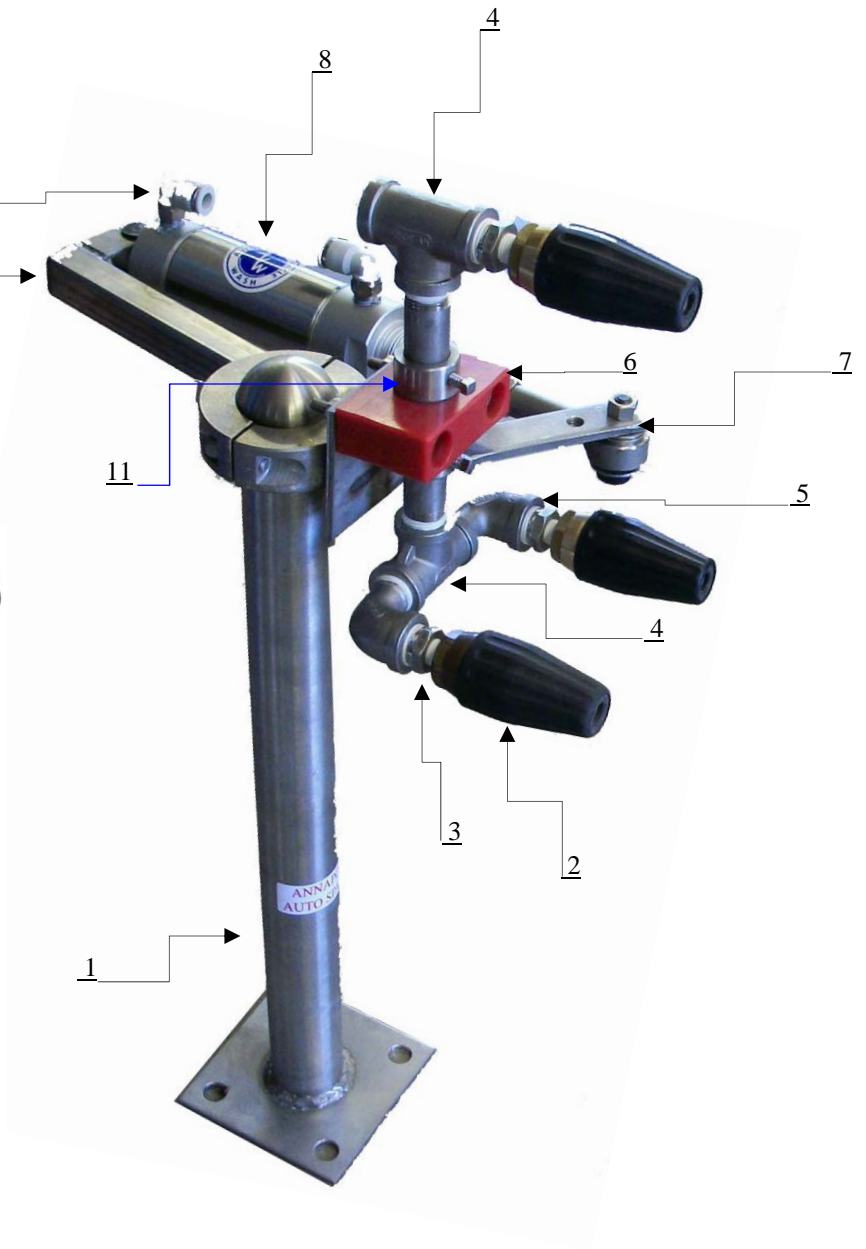
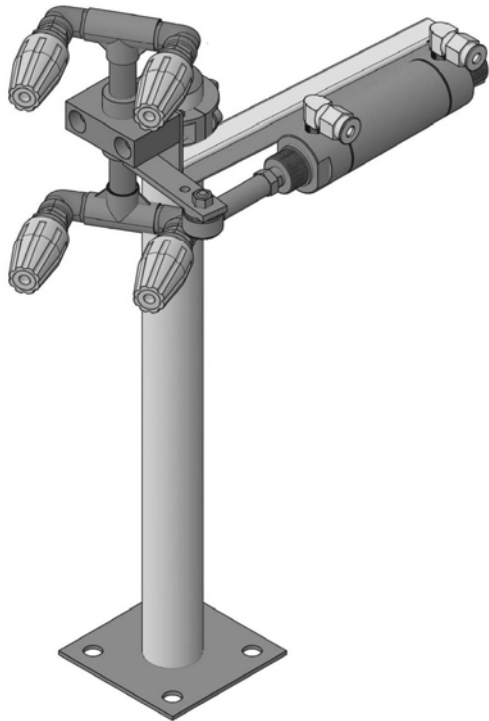


11. COLLAR



PIVOTING WHEEL BLASTER, Model PWB1

**OPTIONAL:
PIVOTING WHEEL
BLASTER w/4 NOZZLES**



**10. CYLINDER
BRACKET**



**BALL JOINT w/
SHOLDER BOLT
And HEX NUT**



PIN



**6. UHMW BLOCK
w/Fastener Set**



11.COLLAR



PIVOTING WHEEL BLASTER, Model PWB1

PIVOTING WHEEL BLASTER, Model PWB1			
ITEM	Description	PART No.	QTY.
1	STAND (22'' Tall)	PGS1ASA	1set/2 Pcs.
2	TURBO NOZZLE, Stunner-ST-357,8Gpm	PWB1-TN3600	3/Side
3	REDUCER BUSHING (1/2''-1/4'')	RB-1214-RB-B	3/Side
4	FEMALE TEE 1/2''	TEEGLV050	2/Side
5	90° STREET ELBOW 1/2''	EL90-S-30405	2/Side
6	UHMW BLOCK with FASTENER SET - HEX BOLT 1/4''x 2-1/2''Lg - HEX NUT 1/4' - FLAT WASHER 1/4''x 5/8'' - SPLIT LOCK WASHER 1/4''	PWB1C2 - HHCS1420250 HN1420 FW14062 SLW1-4	1Set/Side 2Sets/Side 2/Side 2/Side 2/Side 2/Side
7	CAM ARM w/	PWB1-CAM	1//Side
8	AIR CYLINDER 2''x3'' -BALL JOINT ROD END1/2-20 w SHOLDER BOLT 3/8'' w/HEX NUT 3/8'' and FLAT WASHER 3/8'' -JAM NUT -COLLAR 3/8''ID -PIN 3/8''x1-1/2''	AC2x3 BJ1/2-20 SB1ADB1 HN3816 FW38 JN1220 WA1FC -	1/Sade 1/Sade 1/Sade 1/Sade 1/Sade 1/Sade 1/Sade 1/Sade
9	90°AIR PUSH LOCK FITTING	APF3814-EL90	2/Side
10	AIR CYLINDER BRACKET	PWB1ABA	1/Sade
11	COLLAR 3/4''I.D.x1-1/4''O.D.x3/4Lg	-	1/Sade

