

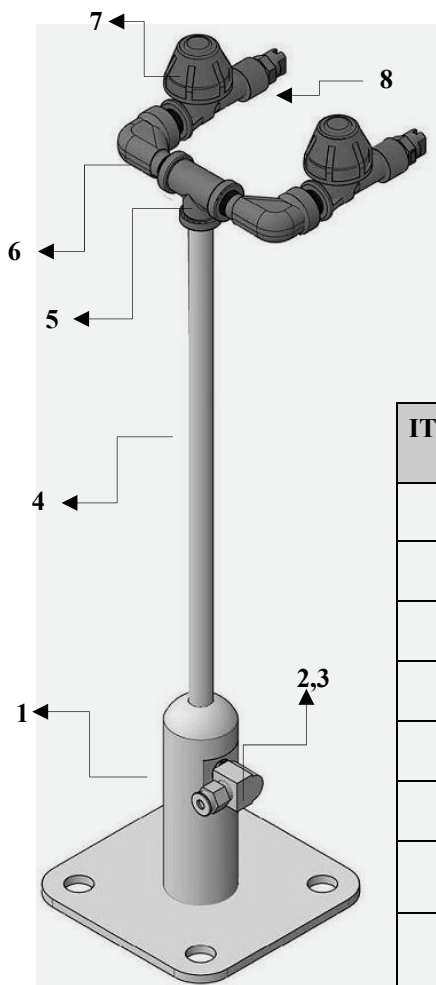
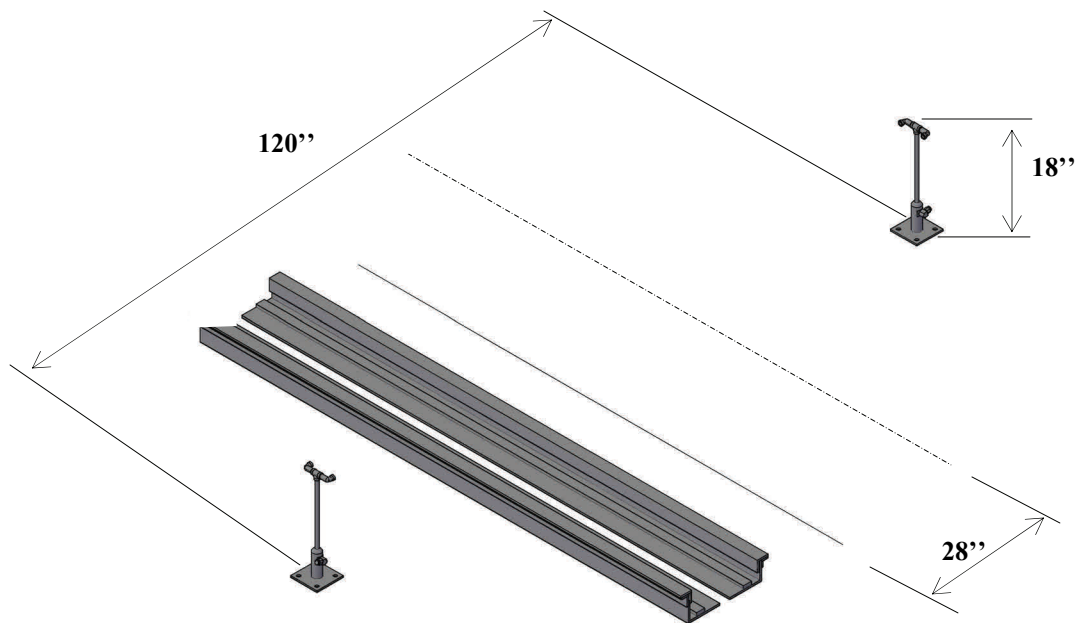
CHEMICAL TIRE APPLICATOR , Model CTA1A

The AVW Chemical Tire Applicator features stainless steel applicator stands that apply chemicals for whitewall cleaning.

- *Stainless Steel chemical injection pump panel*
- *Computer or treadle control *(mandatory)*
 - *Minimal space requirements*
 - *Clean Design*



CHEMICAL TIRE APPLICATOR, Model CTA1A



ITEM	Description	PART NO.	QTY. (Per Side)
1	BASE for CHEMICAL TIRE	CTA1AA	1
2	90° STREET ELBOW 1/4"	ELBR06100-04	1
3	AIR PUSH FITTING 3/8"x1/4"NPT	APF3814	1
4	APPLICATOR TREE	CTA1AB	1
5	FEMALE TEE 1/4"NPT	TEE304025	2
6	90° STREET ELBOW 1/4"NPTMx1/4"NPTF	EL90S304025	2
7	CHECK VALVE 1/4"NPT BSPT	V-DC14x14-8lb	2
8	PVDF NOZZLE (RED HYPRO 90A2CM03E80)	NZ14-03E80	2

