

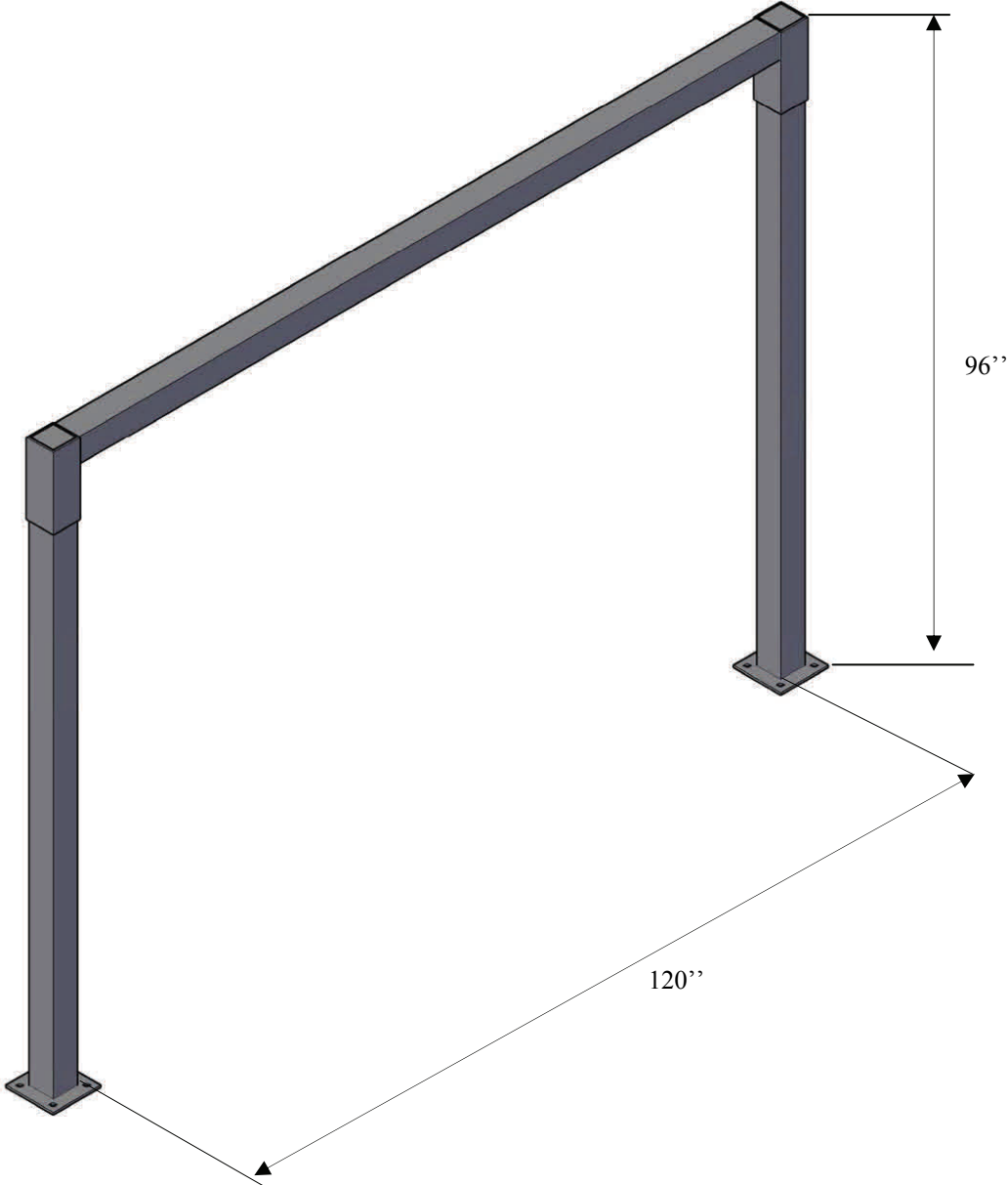
## AVALANCHE, MODEL J3179

AVW's AVALANCHE mixes air and soap in a foam bath and then cascades it onto the vehicle with a luxurious customer show.

The Stainless Steel Avalanche Junior can be mounted to wall, equipment frame or dedicated Applicator ( not included)

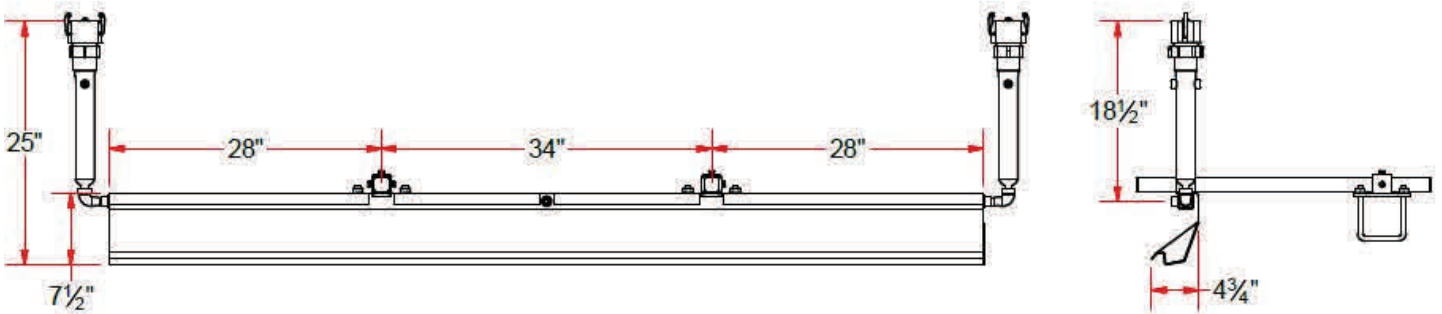
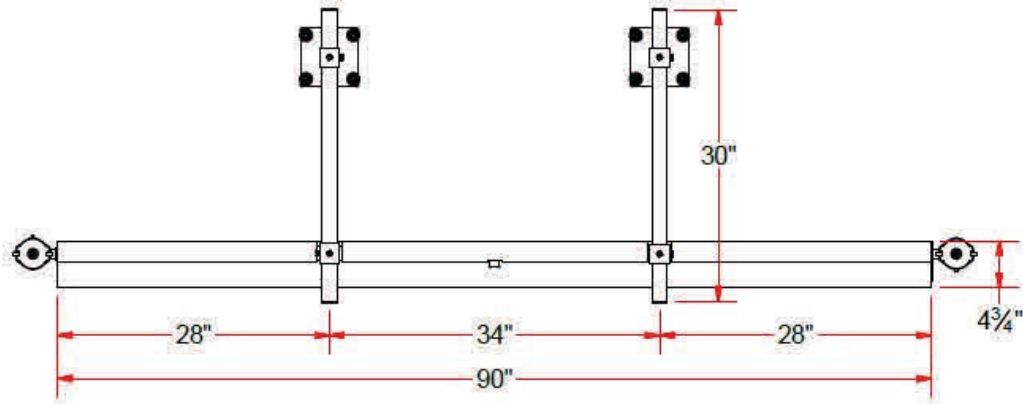
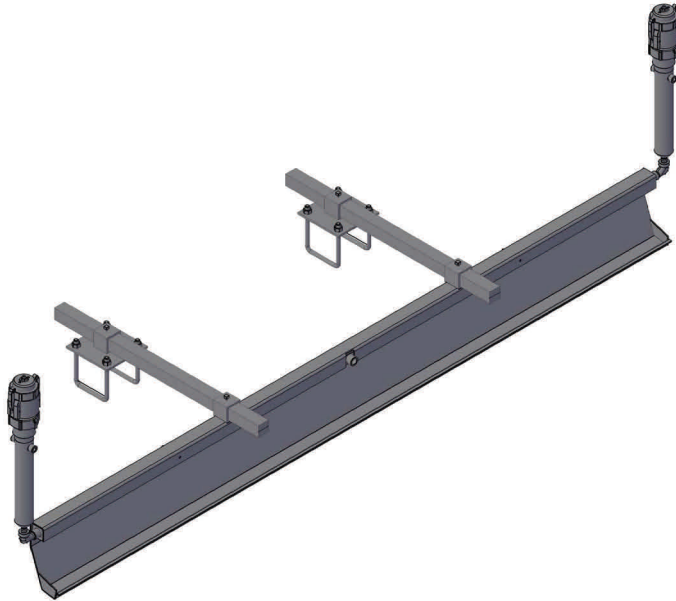


# AVALANCHE, MODEL J3179



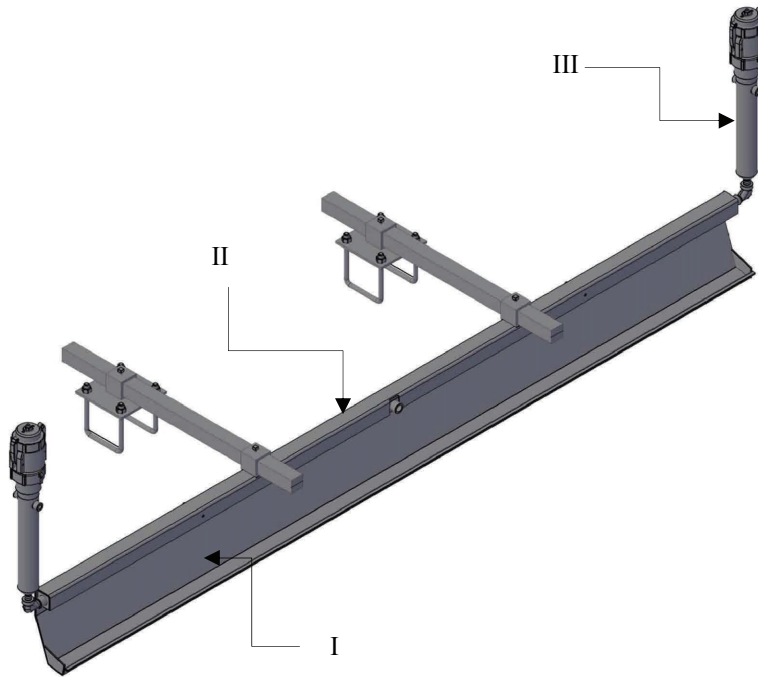
# AVALANCHE, MODEL J3179

## SPACE REQUIREMENT:



# AVALANCHE , MODEL J3179

## AVALANCHE ASSEMBLY



**III. FOAM GENERTOR**

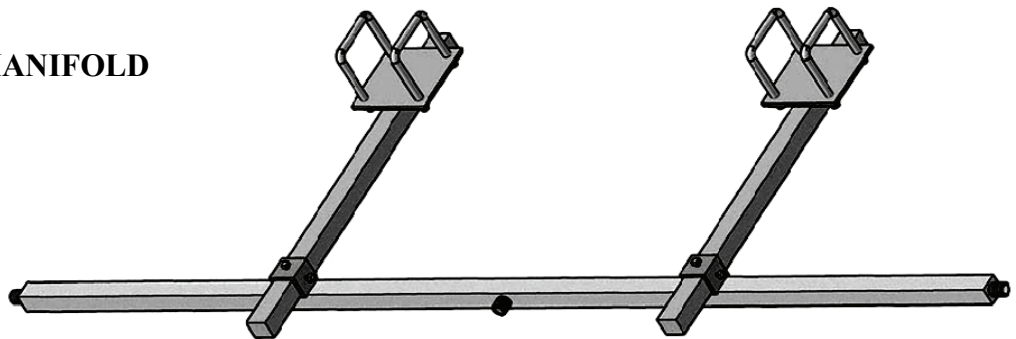


**III. FOAM GENERTOR**

**I. DEFLECTOR**



**II. SHOWER TOP MANIFOLD**

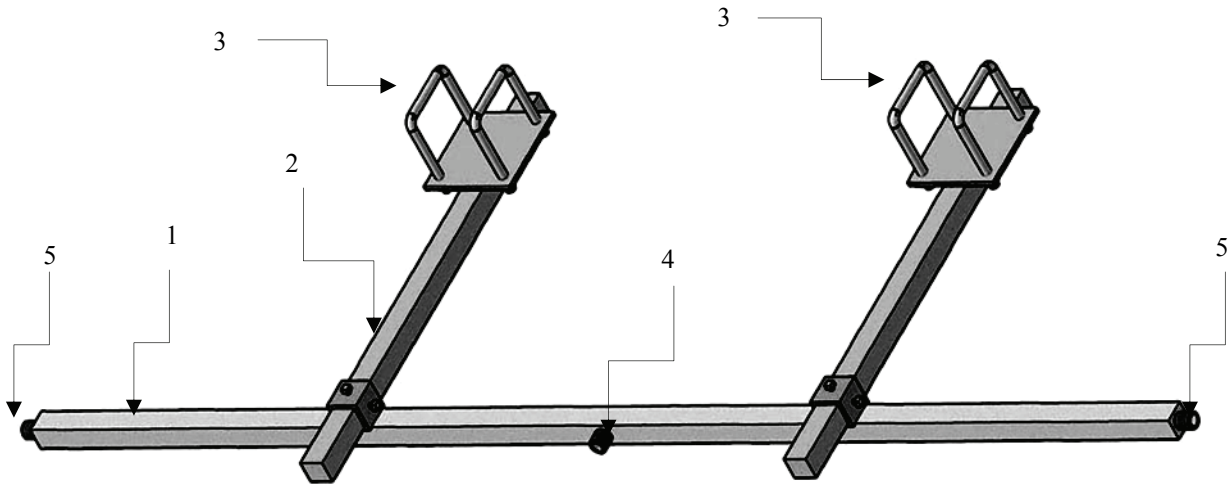


ITEM	DESCRIPTION	PART No.	QTY.
I	DEFLECTOR	J3179A	1
II	SHOWER TOP MANIFOLD	AA5D	1
II	FOAM GENERATOR	SF1014AAG	2



# SHOWER TOP MANIFOLD , Model AA5D

## II. SHOWER TOP MANIFOLD



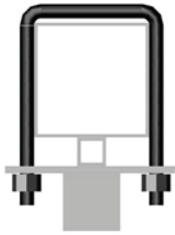
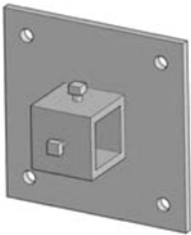
1. SHOWER MANIFOLD



3. MOUNTING BRACKET

U-BOLTS

2. EXTENSION ARM



4. BARB

5. PLUG

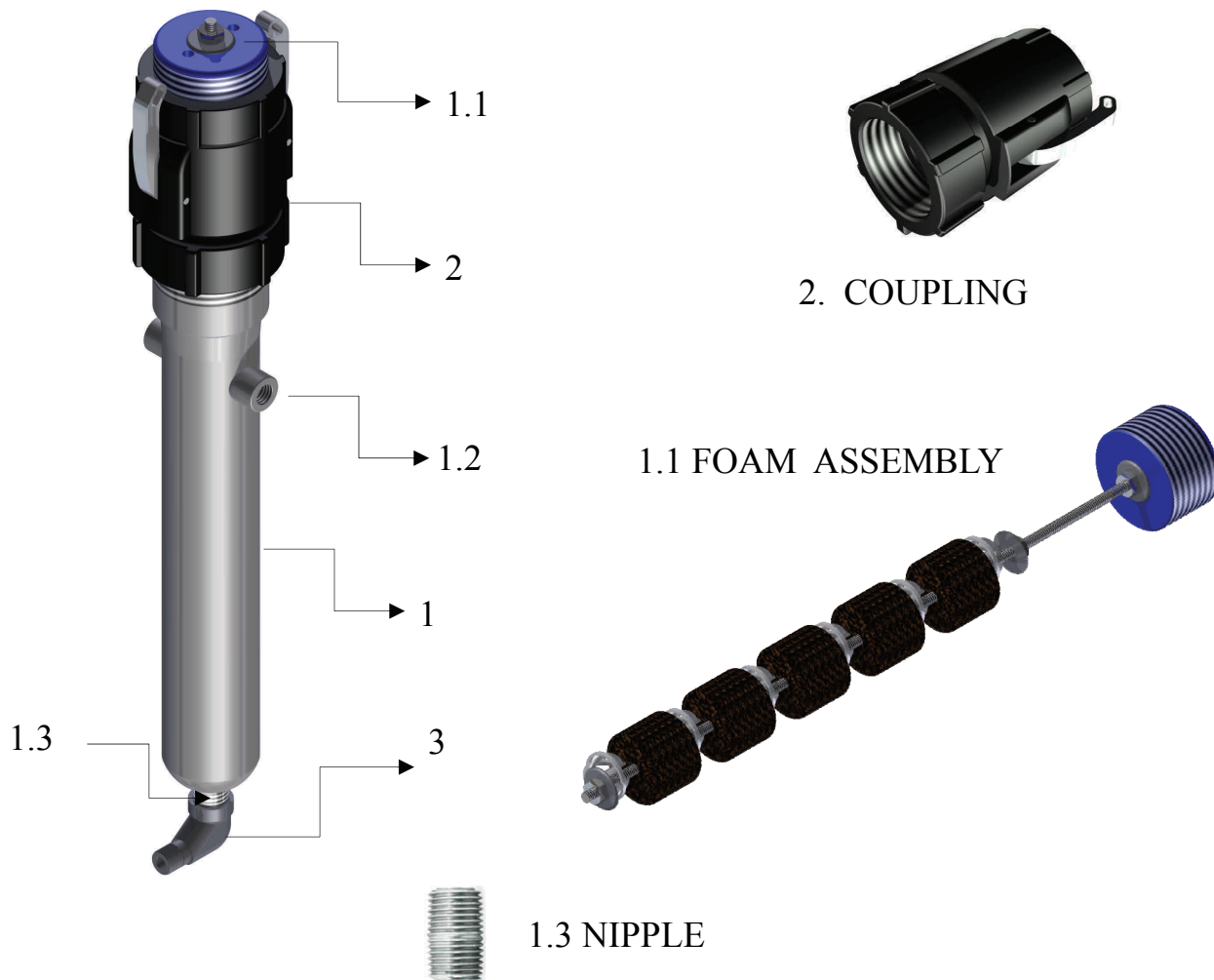


ITEM	Description	PART No.	QTY.
1	SHOWER TOP MANIFOLD, 90" LG	AA5DA	1
2	EXTENSION ARM 30" LG (60)	AA5DAC-30 (60)	2
3	MOUNTING BRACKET w/ U BOLTS 3/8" SIZE -w/Hex Nuts and Flat Washers 3/8" -For Mounting Brackets	AA5DB UB-SQ0375x1400 HN3816 FW38	2 4 8 8
4	BARB for SHOWER TOP MANIFOLD	BRBPP050X050	1
5	PLUG for SHOWER TOP MANIFOLD	PLUGP050	2



# FOAM GENERATOR, Model SF1014AAG

## III. FOAM GENERATOR



ITEM	DESCRIPTION	PART No.	QTY.
1	FOAM GENERATOR	SF1014AAG	2/SET
1.1	FOAM ASSEMBLY	SF1014AAGP	2/SET
1.2	AIR PUSH FITTING 1/4"	APF3814	2/SET
1.3	NIPPLE 1/2"	NPL304050CL	2/SET
2	COUPLING, (Cam-and-Grove Hose Coupling)	SF1014ABE	2
3	90°ELBOW Male 1/4"	EL90S304025	2

