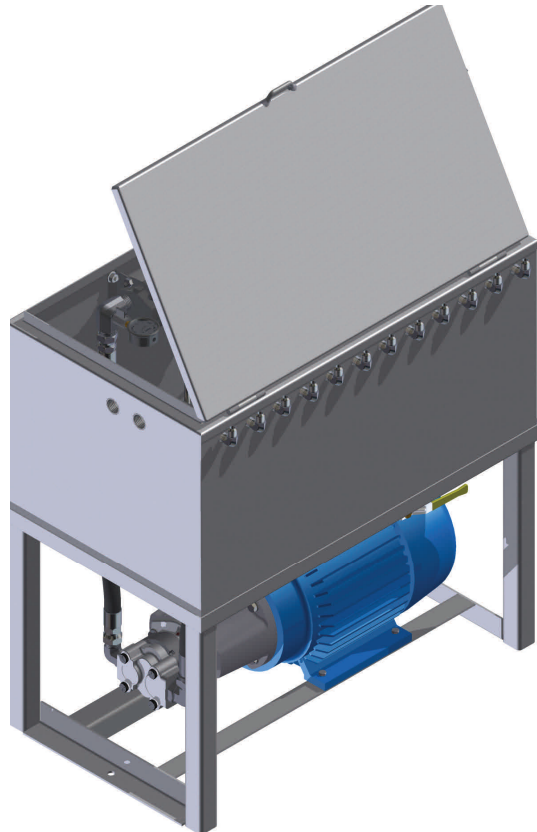


6-PORT HYDRAULIC POWER UNIT, Model HPU6

The ***AVW 6-PORT HYDRAULIC POWER UNIT*** features a gravity feed tank, with adjustable controls contained inside of tank. No dripping or leakage of fluid from controls on the floor. Fabricated from Stainless Steel.

- Heavy Duty Stainless Steel***
- Multiple Banks***
- Contained Controls***
- 6-Port***
- Clean Design***

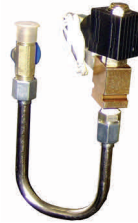
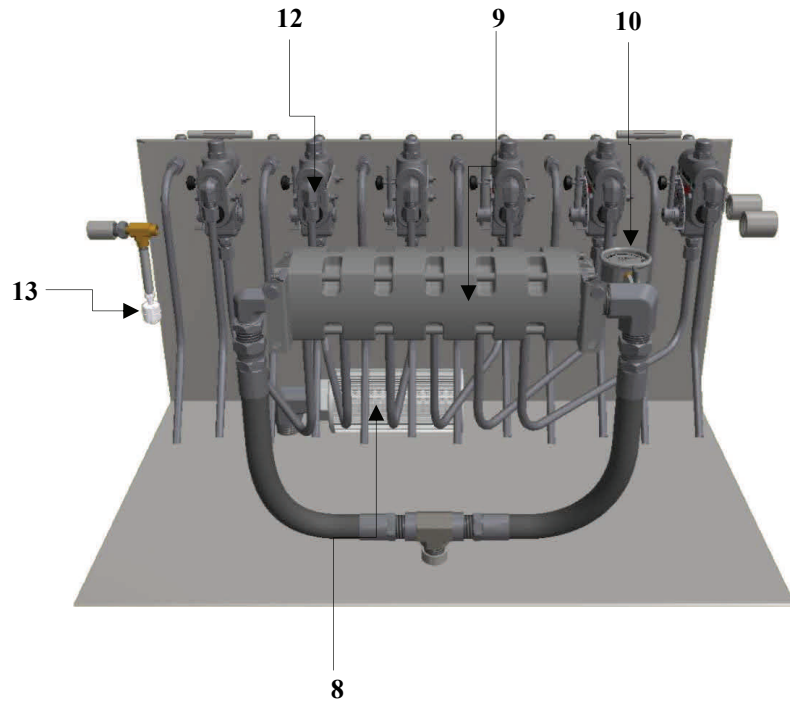
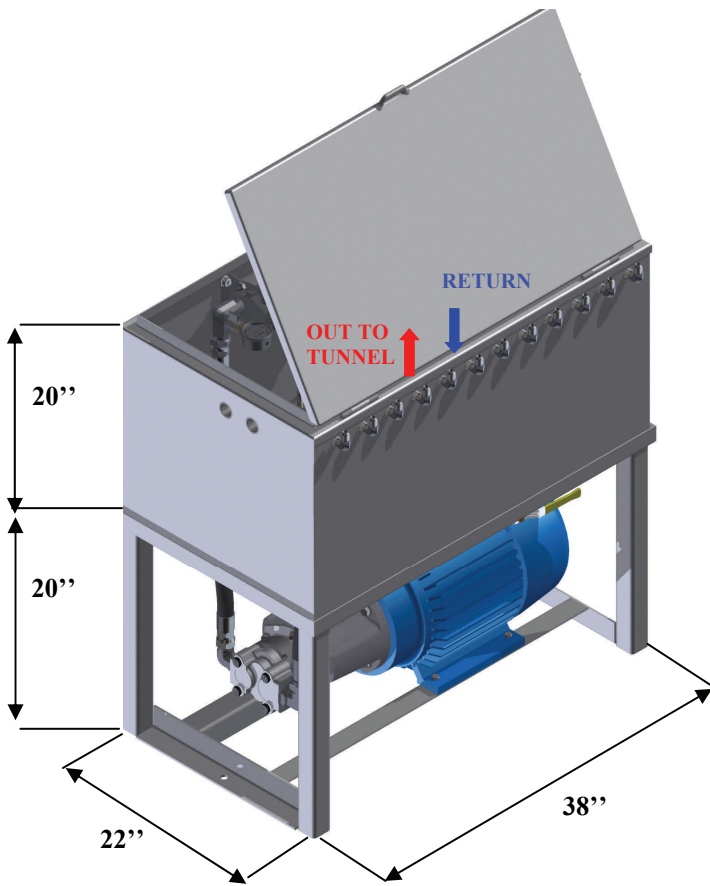
ELECTRICAL MOTOR: 20HP, 1755RPM,
PUMP : 40GPM max



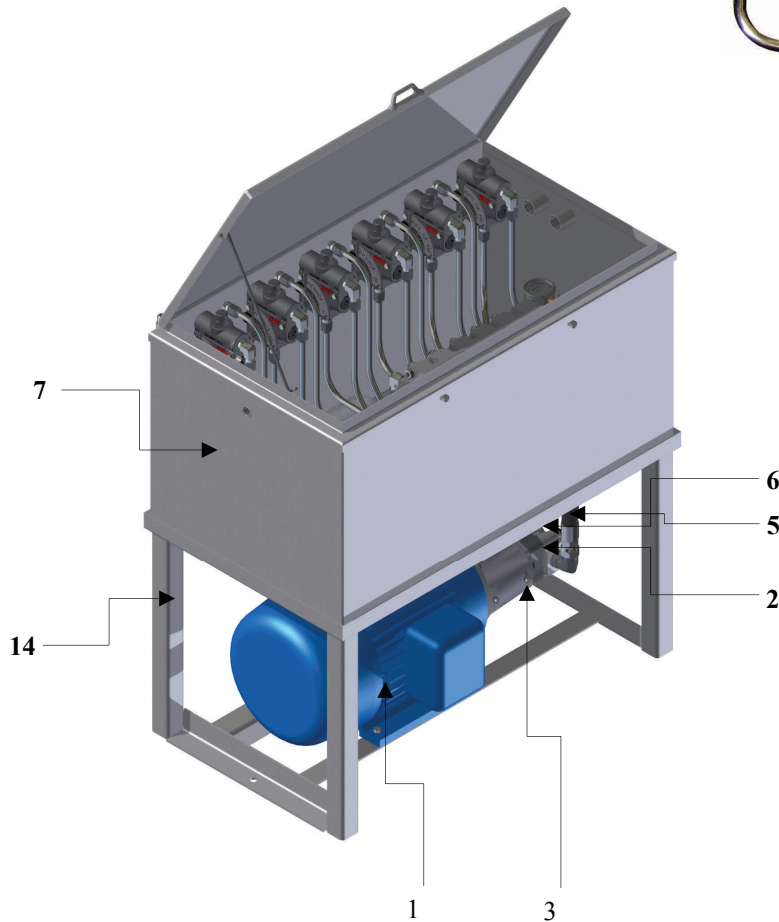
DIMENSION: 38" W x 22"D x 40"H
TANK: 38" W x 22"D x 20"H







6-PORT HYDRAULIC POWER UNIT, Model HPU6



w/SOLENOID (Optional)



6-PORT HYDRAULIC POWER UNIT, Model HPU6

ITEM	Description	PART No.	QTY.
1	-ELECTRICAL MOTOR : 20 HP, 1755RPM, Shaft Dia. Ø1-5/8", Volts 230/460, 60HZ, Frame 256TC, C-Face , 3.Phase. Amps 49.0/24 .5 Type P, 	EM20-1800-256TC	1
2	GEAR PUMP straight shaft dia. Ø1-1/4" displacement 5.10 [cu.in./ rev.] (= 38.7GPM at 1755RPM) , P350 Pump Series (Bushing Bearing) 20 Gear Width 2", Port Size,2-Bolt SAE B Type 1, (inlet) 1/2"-(Left (outlet) 1" (Right), 11 Shaft 1-1/4" 	GP30-P350	1
2a	GEAR PUMP INLET ELBOW 90° 1 1/4 JIC 37° Flare x 1-7/8"-12 UN/UNF-2A ORB, Steel 	EL90STL125JIC1875ORB	1
	GEAR PUMP OUTLET ELBOW 90° 1 JIC 37° Flare x 1-5/16"-12 UN/UNF-2A ORB , Steel 	EL90STL100JIC13125ORB	1
3	LOVEJOY - FLEXIBLE SHAFT COUPLING (motor shaft dia. 1-5/8", pump shaft dia. 1-1/4") w/SPIDER 	HPU6-7-PL (HPU6-7-PLM, HPU6-7-PLP) HPU6-7-SP	1
-	BELL HOUSING 	BH0807F2L-2B	1
4	BALL VALVE 1/4" 	BV11-4	1
5	INTAKE HOSE 1/4" I.D. x 23" LG. 	HPU6-NH	1
6	DISCHARGE HOSE (PRESSURE LINE): 1" I.D. x 16 1/2" LG. (for P350 Pump) in tank: 1" I.D. x 16 1/2" LG. 	HPU6-DHU HPU6-DHT	1 2
7	TANK 38" LG x 22" W x 20H w/two Couplings 3/4" (welded to tank), for Heat Exchanger's tubing	HPU6-T	1

NOTE: Hydraulic Suction Strainer and Oil should be changed at least once a year.



6-PORT HYDRAULIC POWER UNIT, Model HPU6

ITEM	Description	PART No.	QTY.
IN TANK :			
8	HYDRAULIC SUCTION STRAINER , port 1½"NPT, w/Reducer Bushing 1½"NPT male x 1¼"NPT female 	SS150 RBSAE140140-24-20	1
9	FLOW DIVIDER 6-SECTION UNIT w/ 2 inlets port 1"NPT, 6 outlet ports ½" NPT -Delta Power Hydraulic Co 	HPU6-FD6	1
10	GAUGE 0-3000PSI, FTB bottom connection ¼", liquid filled 	GP1500	1
11	- MINI BALLVALVE 1/4" NPT Male x Female with 1/8"needle assembly , - RIGHT ANGLE 1/4" NEEDLE VALVE 	NV1-4-1007 NV1-4	1
12	FLOW CONTROL (SPEED CONTROL) 0-8GPM, w/ports 3/8" NPT -„OUT TO TUNNEL” FITTING Elbow 90 1/2" JIC -„RETURN TO TANK” FITTING Elbow Bulkhead 1/2"JIC Plastic Spacer 1/8" 	FC08 EL90STL050JIC0375FNP UNNELBLKHDSTL050JIC HPU1DC2-3-4x112x1-8	6 6 6 6
13	LOW LEVEL SWITCH 	LLS1	1
14	STAND (Legs: sq.tub, 2" x 2" x 20"LG.) 15 COVER (LID) - LID SUPPORT	HPU6-A	1
15		HPU6-V	1
-		LS1	1
-	STAINLESS STEEL HYDRAULIC TUBE 1/2"O.D. x W.035" TP304/TP304L ASTM A269 w/tube support sleeves 1/2"JIC, 37° flare, "Aeroquip" ("Parker") w/nuts 1/2"JIC, 37° flare, "Aeroquip" ("Parker") - FITTINGS	- SAE070115-8 SAE070110-8	
16	SOLENOID 120VAC (OPTIONAL) DS018N Threaded Cartridge Valve B08-26P Body - 851004-120VAC COIL SOLENOID 24VAC (OPTIONAL) SOLENOID 220VoltsAC (OPTIONAL)	SL120	6 6 6

