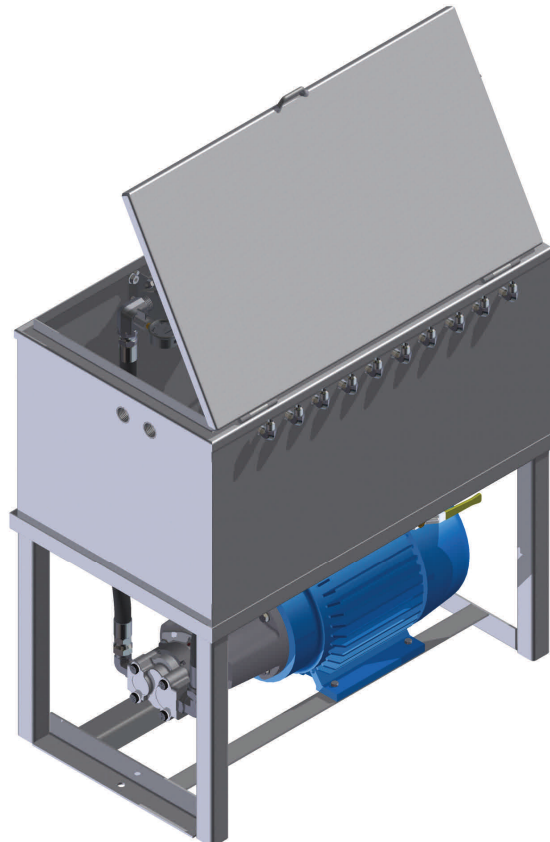


## ***5-PORT HYDRAULIC POWER UNIT, Model HPU5***

The **AVW 5-PORT HYDRAULIC POWER UNIT** features a gravity feed tank, with adjustable controls contained inside of tank. No dripping or leakage of fluid from controls on the floor. Fabricated from Stainless Steel.

- Heavy Duty Stainless Steel***
- Multiple Banks 5-port***
- Contained Controls***
- Clean Design***

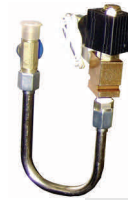
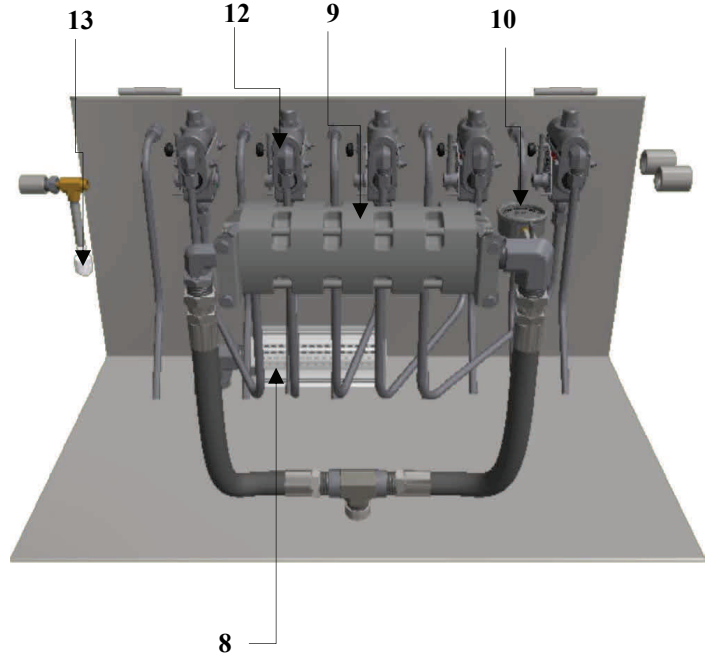
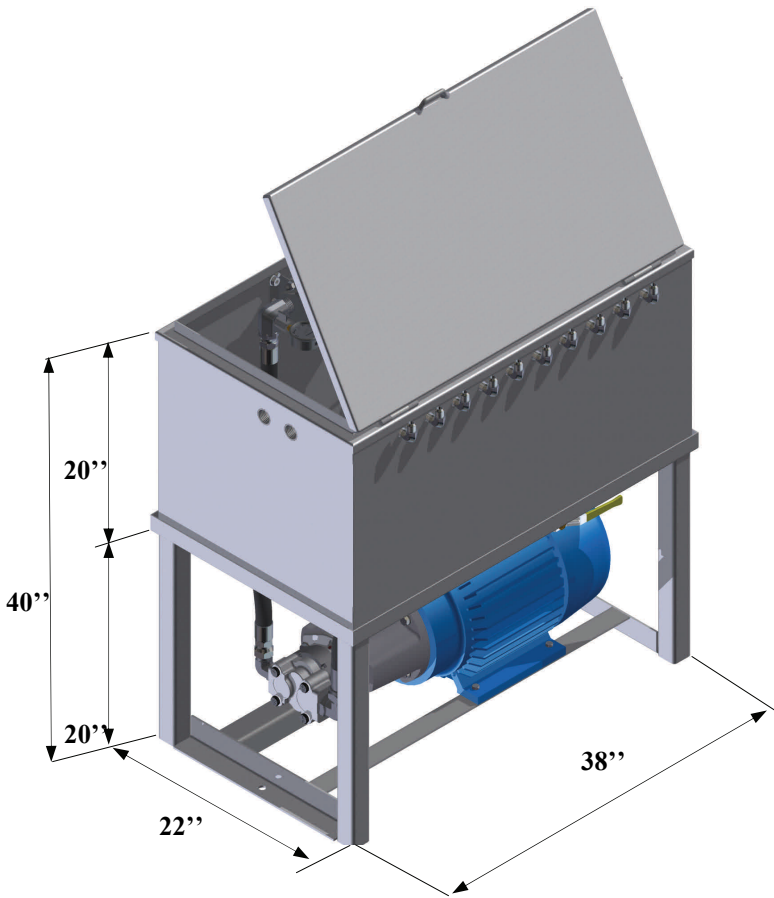
**ELECTRICAL MOTOR:** 15HP, 1750RPM,  
**PUMP :** 24GPM max at 1750RPM max



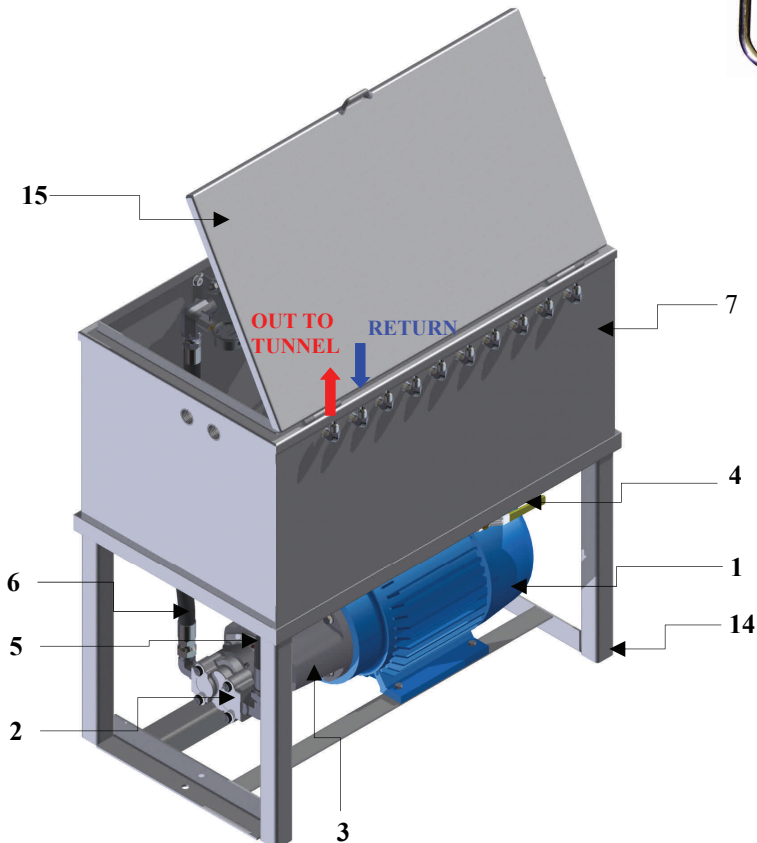
**DIMENSION:** 38'' W x 22''D x40''H  
**TANK:** 38'' W x 22''D x 20''H



# 5-PORT HYDRAULIC POWER UNIT, Model HPU5



**w/SOLENOID (Optional)**



## 5-PORT HYDRAULIC POWER UNIT, Model HPU5

ITEM	Description	PART No.	QTY.
1	<b>-ELECTRIC MOTOR</b> 15 HP, 1750RPM, C- Face Shaft Dia. Ø1-5/8", Volts 230/460, 60HZ, Frame 254TC, 3.Phase. Amps 36.6/18.3, 60Hz TEFC enclosure, 	EM15-1800-254TC	1
2	<b>GEAR PUMP</b> straight shaft dia. Ø7/8" displacement 2.934 [cu.in./ rev.] (= 22.35GPM at 1760RPM) suction (inlet) 1-5/8"-12 UN-2B SAE straight thread discharge (outlet) 1-1/16"-12 UN-2B SAE straight thread 	GP25-P16	1
2a	GEAR PUMP INLET ELBOW 90° 1 1/4 JIC 37° Flare x 1-5/8"-12 UN/UNF-2A ORB, Steel  GEAR PUMP OUTLET ELBOW 90° 3/4 JIC 37° Flare x 1-1/16" ORB, Steel	EL90STL125JIC1625ORB  EL90STL075JIC10625ORB	1  1
3	<b>LOVEJOY - FLEXIBLE SHAFT COUPLING</b> (motor shaft dia. 1-5/8", pump shaft dia. 7/8") w/SPIDER 	HPU5-PL (HPU5-PLM, HPU5-PLP) HPU5-SP	1Set 1
-	<b>BELL HOUSING</b> 	BH0807-F2L-2B	1
4	<b>MINI BALL VALVE 1 1/4"</b> 	BV11-4	1
5	<b>INTAKE HOSE</b> 1 1/4" I.D. x 20"LG. 	HPU5-NH	1
6	<b>DISCHARGE HOSE ( PRESSURE LINE ):</b> 1" I.D. x 14"LG In tank: 1" I.D. x 16 " LG 	HPU5-DHU HPU5-DHT	1 2
7	<b>TANK</b> 38"LG x 22"W x 20" H w/Two Coupling 3/4" (welded to tank),for Radiator's Tubing	HPU5-T	1

NOTE: Hydraulic Suction Strainer and Oil should be changed at least once a year.



## 5-PORT HYDRAULIC POWER UNIT, Model HPU5

ITEM	Description	PART No.	QTY.
<b>IN TANK:</b>			
8	<b>HYDRAULIC SUCTION STRAINER</b> , port 1½"NPT, w/Reducer Bushing 1½"NPT male x 1¼"NPT female 	SS150 RBSAE140140-24-20	1 1
9	<b>FLOW DIVIDER 5-SECTION UNIT</b> inlet port 1"NPT, 5 outlet ports ½" NPT 	HPU5-FD5	1
10	<b>GAUGE</b> 0-3000PSI, FTB bottom connection ¼ ", liquid filled 	GP1500	1
11	<b>- MINI BALLVALVE</b> 1/4" NPT Male x Female <b>- RIGHT ANGLE</b> 1/4" NEEDLE VALVE (Option)	NV1-4-1007 NV1-4	1
12	<b>FLOW CONTROL (SPEED CONTROL)</b> 0-8GPM, w/ports 3/8" NPT <b>- „OUT TO TUNNEL" FITTING</b> Elbow 90 1/2" JIC <b>- „RETURN TO TANK" FITTING</b> Elbow Bulkhead 1/2"JIC Plastic Spacer 1/8" 	FC08  EL90STL050JIC0375FNP  UNNELBLKHDSTL050JIC HPU1DC2-3-4x112x1-8	5  5 5 5
13	<b>LOW LEVEL SWITCH</b> 	LLS1-SS	1
14	<b>STAND</b> (Legs: sq.tub, 2" x 2" x 20"LG.)	HPU5-A	1
15	<b>COVER (LID)</b>	HPU5-V	1
-	<b>LID SUPPORT</b>	LS1	1
-	<b>STAINLESS STEEL HYDRAULIC TUBE</b> 1/2"O.D. x W.035" TP304/TP304L ASTM A269 w/tube support sleeves 1/2"JIC, 37° flare, "Aeroquip" ("Parker") w/nuts 1/2"JIC, 37° flare, "Aeroquip" ("Parker") <b>FITTINGS</b>	-  SAE 070115-8 SAE 070110-8	-  - -
16	<b>SOLENOID</b> 120VAC ( <b>OPTIONAL</b> ) DS018N Threaded Cartridge Valve B08-26P Body - 851004-120VAC COIL <b>SOLENOID</b> 24VAC ( <b>OPTIONAL</b> ) <b>SOLENOID</b> 220VoltsAC ( <b>OPTIONAL</b> )	SL120	5 5 5

NOTE: Hydraulic Suction Strainer and Oil should be changed at least once a year.

