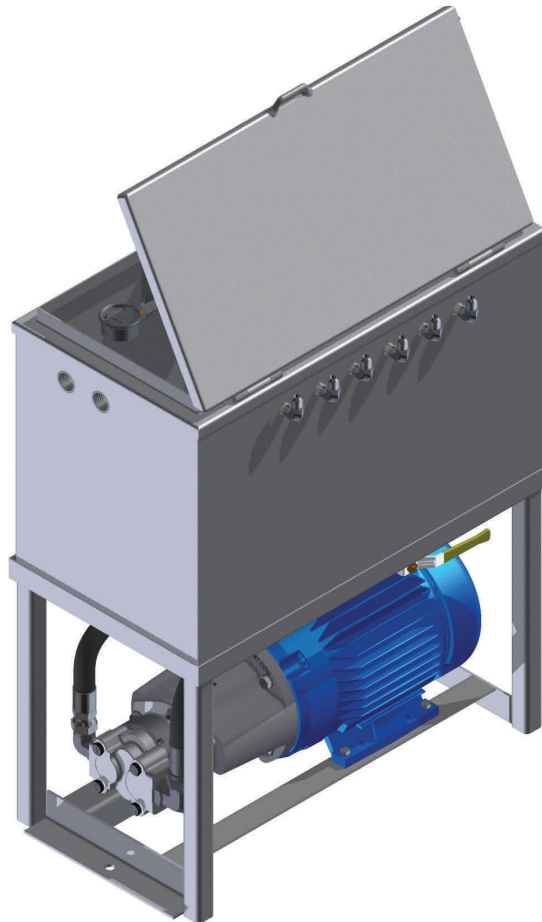


3-PORT HYDRAULIC POWER UNIT, Model HPU3

The **AVW 3-PORT HYDRAULIC POWER UNIT** features a gravity feed tank, with adjustable controls contained inside of tank. No dripping or leakage of fluid from controls on the floor. Fabricated from Stainless Steel.

- Heavy Duty Stainless Steel***
- Multiple Banks***
- Contained Controls***
- 3-Port***
- Clean Design***

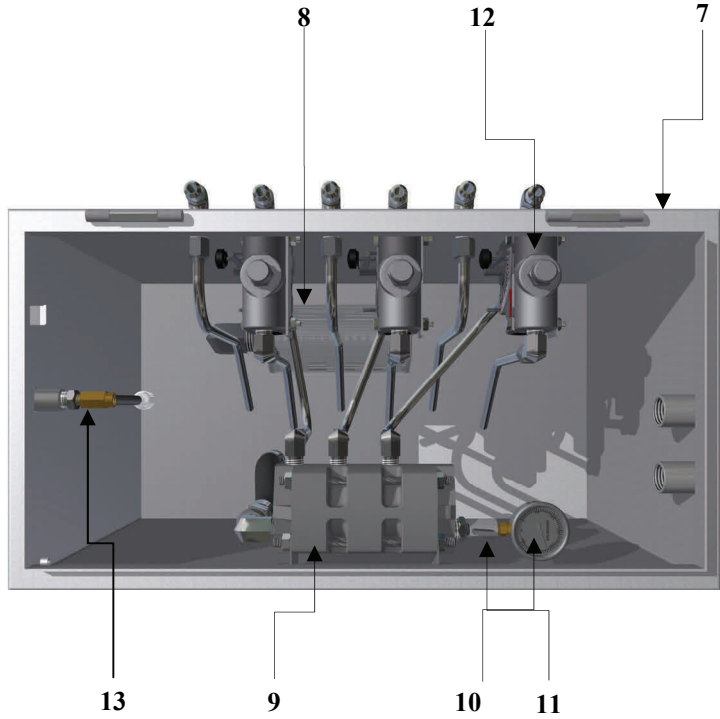
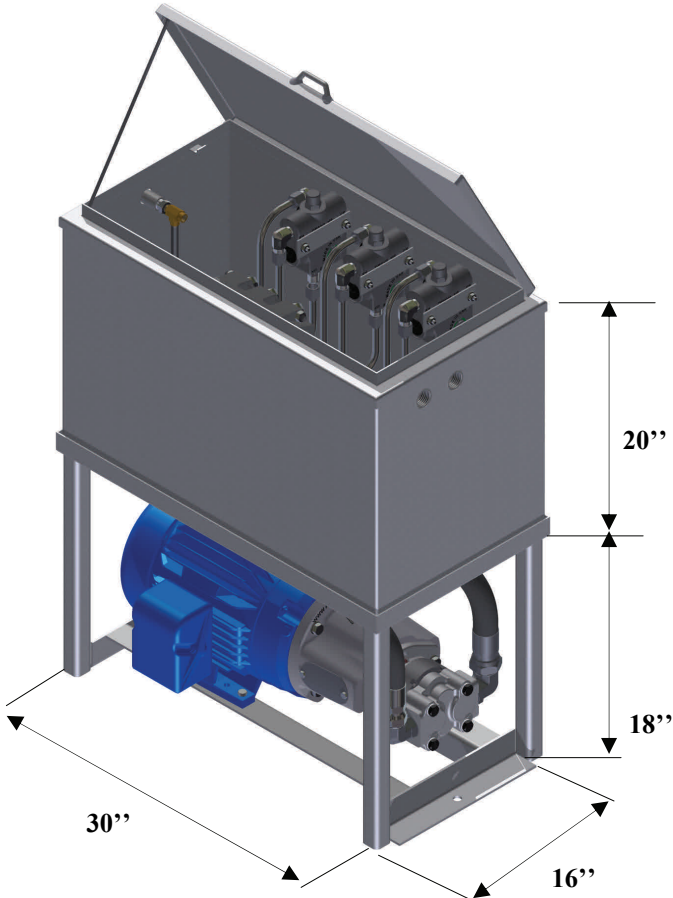
ELECTRICAL MOTOR: 10HP, 1770RPM,
PUMP : 15GPM at 1755RPM



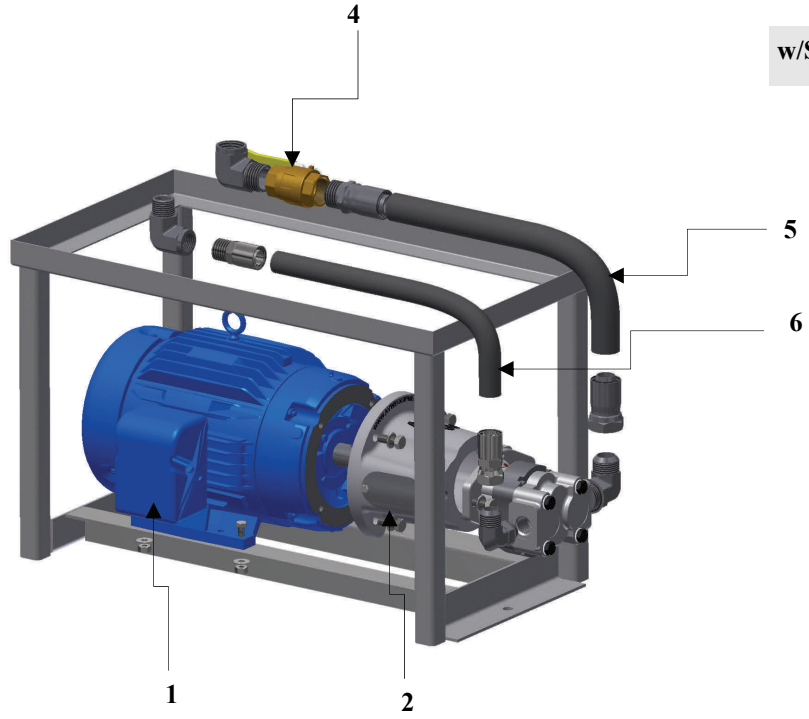
DIMENSION: 30''Wx16''D x38''H
TANK: 30''Wx16''Dx 20''H



3-PORT HYDRAULIC POWER UNIT, Model HPU3



w/SOLENOID (Optional)



3-PORT HYDRAULIC POWER UNIT, Model HPU3

ITEM	Description	PART No.	QTY.
1	ELECTRICAL MOTOR 10 HP, 1770RPM, C-Face Shaft Dia. Ø1-3/8", Volts 208-230/460, 60HZ, 3 Phase Frame 215TC, 3.Phase. Amps 28.8-26.0/13 .0	EM10-1800-215TC	1
2	GEAR PUMP straight shaft dia. Ø7/8" displacement 1.964 [cu.in./ rev.] (= 15.57GPM at 1755RPM) suction (inlet) 1-5/8"-12 UN-2B SAE straight thread discharge (outlet) 1-1/16"-12 UN-2B SAE straight thread	GP15-P16	1
2a	GEAR PUMP INLET ELBOW 90° 1 1/4 JIC 37° Flare x 1-5/8"-12 UN/UNF-2A ORB, Steel	EL90STL125JIC1625ORB	1
	GEAR PUMP OUTLET ELBOW 90° 3/4 JIC 37° Flare x 1-1/16" ORB, Steel	EL90STL075JIC10625ORB	1
3	LOVEJOY - FLEXIBLE SHAFT COUPLING (motor shaft dia. 1-3/8", pump shaft dia. 7/8") w/SPIDER	HPU3-4-PL (HPU3-4-PLM, HPU3-4-PLP) HPU3-4-SP	1 1
-	BELL HOUSING	BH0807F2B	1
4	BALL VALVE 1 1/4" -SFI	BV11-4	1
5	INTAKE HOSE 1 1/4" I.D. x 16 1/2" LG. w/CRIMP FITTINGS, Male and Female	HPU3-NH	1 1 1
6	DISCHARGE HOSE (PRESSURE LINE): 1" I.D. x 17-1/2" LG. in tank: 1" I.D. x 11 1/2" LG. w/CRIMP FITTINGS, Male and Female	HPU3-DHU HPU3-DHT -	1 1 1



3-PORT HYDRAULIC POWER UNIT, Model HPU3

ITEM	Description	PART No.	QTY.
7	TANK 38" LGx 16"W x 20" H w/Two Couplings 3/4" (welded to tank), for Heat Exchanger's tubing	HPU3-T	1
8	IN TANK HYDRAULIC SUCTION STRAINER , port 1 1/2"NPT, w/Reducer Bushing 1 1/2"NPT male x 1 1/4"NPT female	SS150 RBSAE140140-24-20	1 1
9	FLOW DIVIDER 3-SECTION UNIT inlet port 1"NPT, 3 outlet ports 1/2" NPT • Reducer Bushing 1-1/2"NPTmale x 1/4"NPT female	HPU3-FD3 SAE140140-16-4	1 1
10	GAUGE 0-3000PSI, FTB bottom connection 1/4", liquid filled	GP1500	1
11	- MINI BALL VALVE 1/4" NPT Male x Female ("Grainger") - RIGHT ANGLE 1/4" NEEDLE VALVE (Optional)	NV1-4-1007	1
12	FLOW CONTROL (SPEED CONTROL) 0-8GPM, w/ports 3/8" NPT -, OUT TO TUNNEL" FITTING Elbow 90 1/2" JIC -, RETURN TO TANK "FITTING Elbow Bulkhead 1/2"JIC Plastic Spacer 1/8"	FC08 EL90STL050JIC0375FNP UNNELBLKHDSTL050JIC HPU1DC2-3-4X112X1-8	3 3 3 3
13	LOW LEVEL SWITCH (w/Pipe 3"LG)	LLS1-SS	1
14	STAND (Legs: sq.tub, 2" x 2" x 20"LG.)	HPU3-A	1
15	COVER (LID)	HPU3-V	1
-	LID SUPPORT	LS1	1
-	STAINLESS STEEL HYDRAULIC TUBE 1/2"O.D. x W.035" TP304/TP304L ASTM A269 w/tube support sleeves 1/2"JIC, 37° flare, w/nuts 1/2"JIC, 37° flare,	- SAE070115-8 SAE070110-8	
16	SOLENOID 120VAC (OPTIONAL) DS018N Threaded Cartridge Valve B08-26P Body - 851004-120VAC COIL SOLENOID 24VAC (OPTIONAL) SOLENOID 220VoltsAC (OPTIONAL)	SL120	4 4 4

NOTE: Hydraulic Suction Strainer and Oil should be changed at least once a year.

