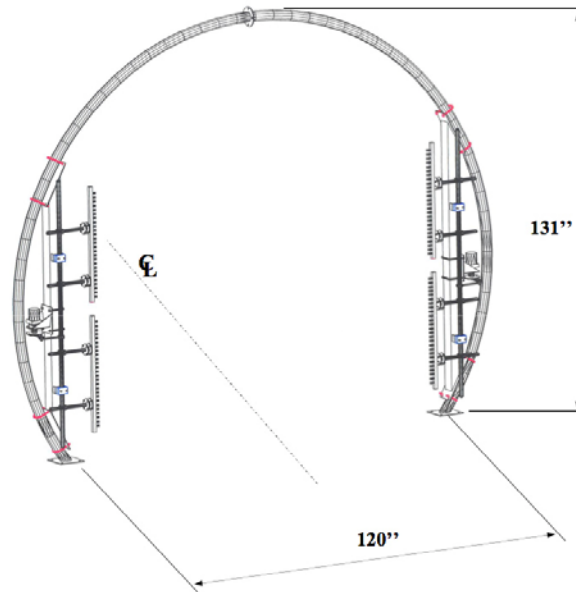


# Tommy Robot Arch



## Description

The Robot Super Rinse Arch is a versatile and extreme high power car wash rinse solution in Tommy's signature circular stainless steel design. The arch is equipped with an overhead oscillating high pressure rinse manifold and an impressive 26 high pressure rinse nozzles per side (52 / unit). Rinse nozzles are best mounted at an angle to provide both side and rear cleaning for difficult to reach points on customer vehicles.

## Specifications

26 High Pressure Nozzles per side

Stainless Steel construction

Standard size arch – See pumping stations for power and water requirements

